

W-27

large television wall mount

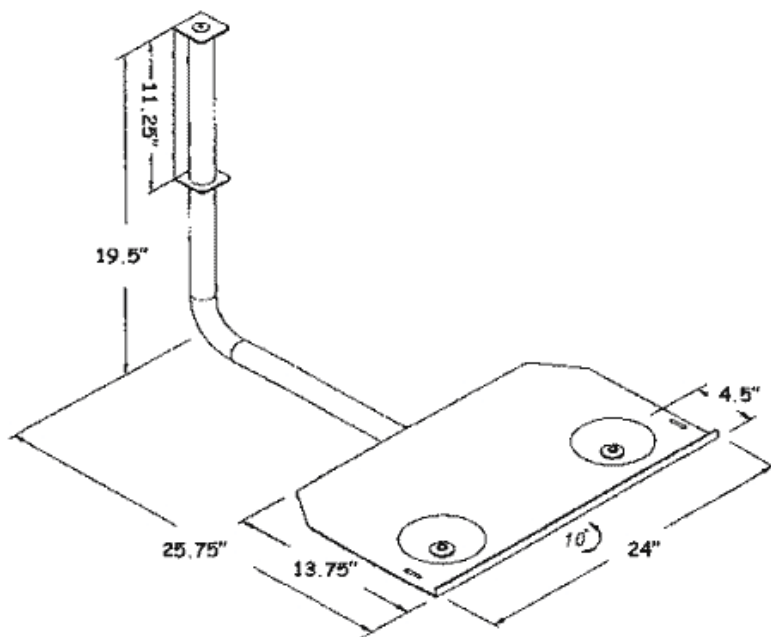
Product Features:

- rotates 140° at wall
- adjustable 0° to 10° tilt
- includes safety/security strap
- tray: width -24" / depth - 13.75"
- holds most 25" to 27" televisions
- load capacity - 125 lbs
- black powder coat finish
- also available in white and silver finish

Product Specifications: *(for Architects & Engineers)*

The wall tray mount for monitors shall be a Video Mount Products (VMP) model W-27. The mount shall be designed to attach to a single stud or other suitable support surface.

The mount shall be primarily constructed of tubular steel and shall incorporate nylon filled nuts and arc welds. The mount will allow adjustable tilt up to a maximum of 10° and will swivel 140° at the wall. It shall be capable of supporting most 25" to 27" monitors. The mount shall include a security strap for the monitor. The load capacity shall be 125 lbs. The mount shall be UL listed in the US and Canada. The mount will also be available in a silver scratch resistant finish (W27-S).



Video Mount Products
325 Log Canoe Circle
Stevensville, MD 21666
Phone: 410.643.6390
Fax: 410.643.6615
www.videomount.com

VMP
VIDEO MOUNT PRODUCTS

