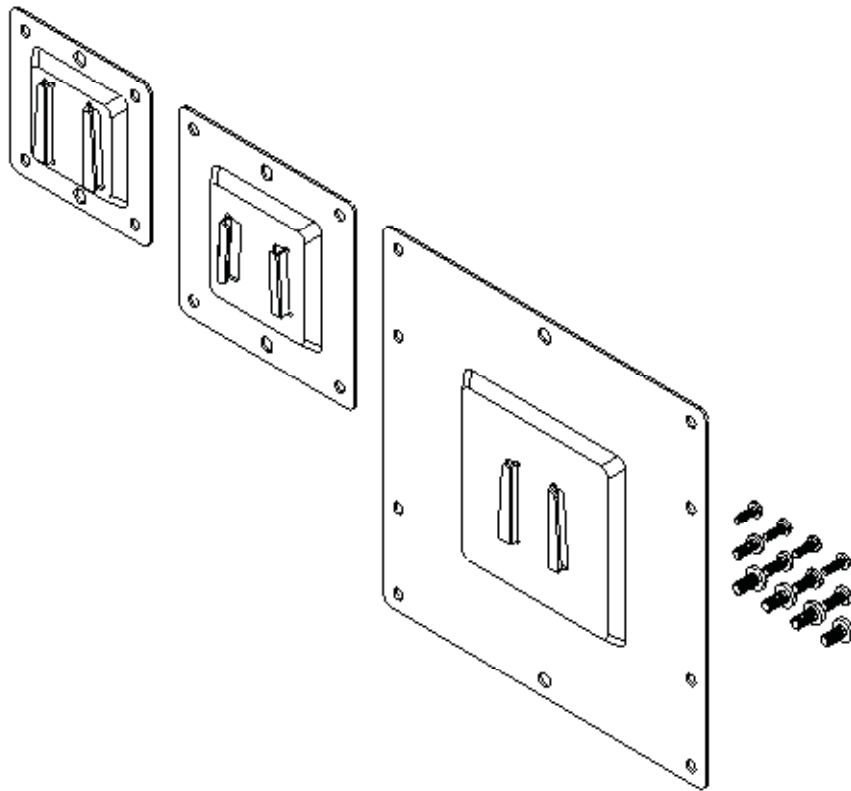


WMP

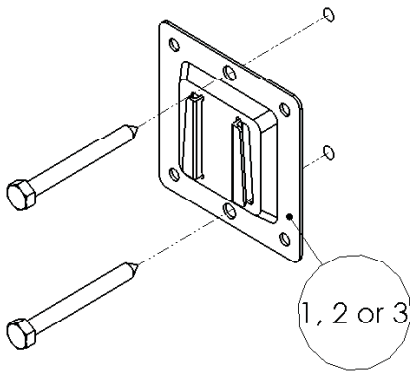
VIDEO MOUNT PRODUCTS

Instruction Sheet For:

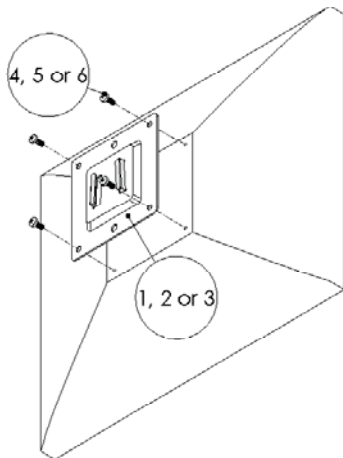
LCD-F



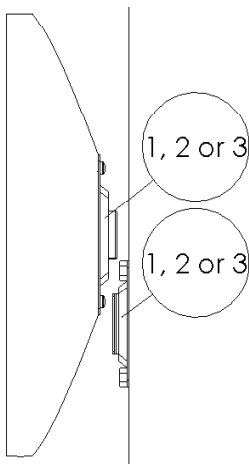
For more information, please contact us at:
325 Log Canoe Circle, Stevensville, Maryland 21666
(T) 410.643.6390 / (F) 410.643.6615
www.videomount.com



Step 3: Attaching one of the mounting plates to the wall (Lag screws are not included)



Step 4: Attaching your monitor to a mounting plate



Step 5: Sliding on the monitor mounting plate

Step 1

Before starting, lay out all parts to your mount and match them to the parts list provided. Verify that you have all your parts before attempting to assemble the mount.

Step 2

First determine the VESA pattern for your monitor. If the holes on your TV are approximately 3 inches apart in a square pattern then your VESA standard is 75mm and you will be using the 75mm mounting plate ①. If the holes on your TV are approximately 4 inches apart in a square pattern then your VESA standard is 100mm and you will be using the 100mm mounting plate ②. If the holes on your TV are approximately 8 inches apart in a square pattern then your VESA standard is 200mm. If the holes on your TV are approximately 4 inches vertically and 8 inches horizontally separated then your VESA pattern is 100mmx200mm. If your monitor has either a VESA 200mm or 100mmx200mm pattern then you will be using the 200mm mounting plate ③.

Step 3

Now it is time to select the plate which you are going to mount on the wall. If you are using the 200mm ③ or 75mm ① plate to mount your monitor then you are going to mount the 100mm plate ② to the wall. If you are using the 100mm plate ② to mount your monitor then you can mount either the 200mm ③ or 75mm ① plate to the wall. Take the appropriate plate ①, ② or ③ and mark the wall or desired mounting surface in preparation of installation the plate you are going to mount to the wall. Pre-drill if necessary and mount the appropriate plate ①, ② or ③ to desired surface. Warning: Please verify that your mounting surface will support the combined weight of your mount, mounting hardware, and monitor. Also verify that the mounting surface is safe to drill through. If in doubt, please contact a professional installer.

Step 4

Take the plate chosen earlier to mount to your monitor ①, ② or ③ and proceed to mount it to the monitor using the M4 ④, M5 ⑤ or M6 ⑥ screws as appropriate for your monitor.

Step 5

Slide the monitor mounted plate ①, ② or ③ onto the wall mounted plate ①, ② or ③. Please verify that all nuts and screws are tight.

Enjoy Your Mount!

WARNING: The installer of these products must verify that the mounting surface, ceiling or wall, will safely support the combined weight of all attached equipment and hardware. Video Mount products will not be held liable for the improper use or installation of its products.