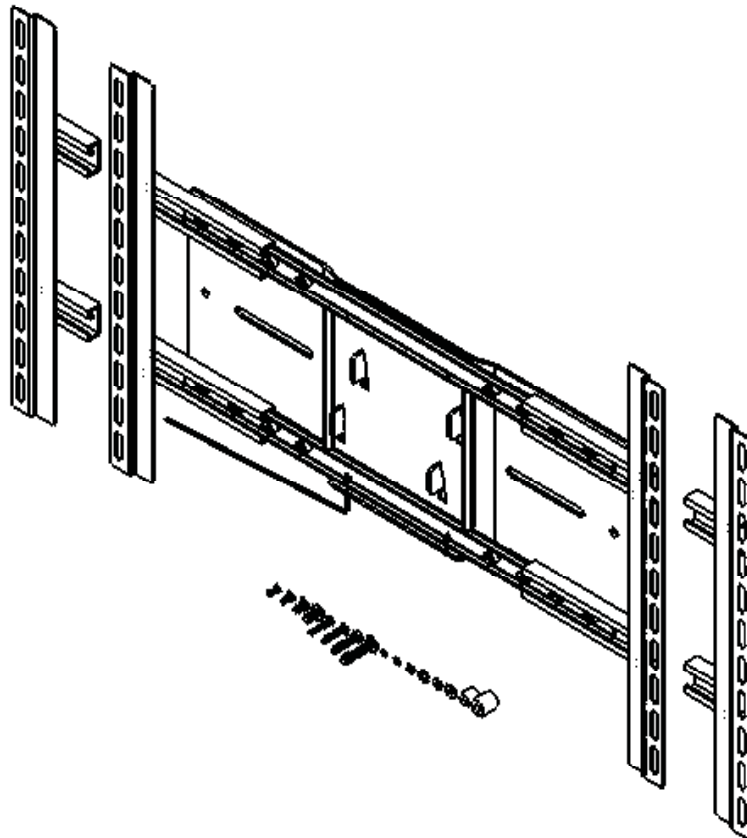


WMP

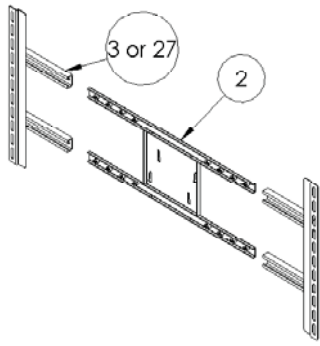
VIDEO MOUNT PRODUCTS

Instruction Sheet For:

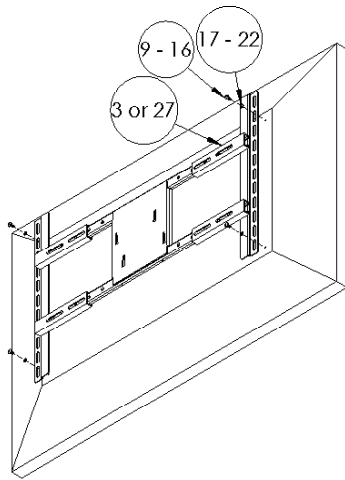
PDM-F



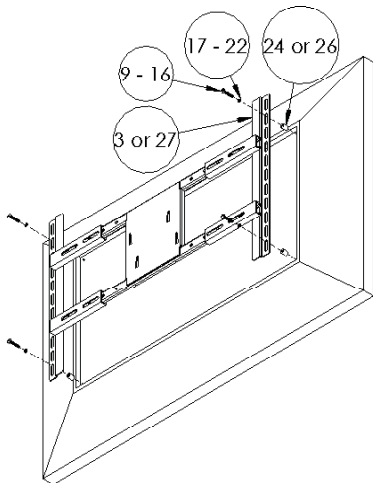
For more information, please contact us at:
325 Log Canoe Circle, Stevensville, Maryland 21666
(T) 410.643.6390 / (F) 410.643.6615
www.videomount.com



Step 2: Sliding the extension brackets on



Step 3A: Securing your TV to the extension brackets. (without spacers)



Step 3B Securing your TV to the extension brackets (spacers used due to recessed holes)

Step 1

Before starting lay out all parts to your mount and match them to the parts list provided. Verify that you have all your parts before attempting to assemble the mount.

Step 2

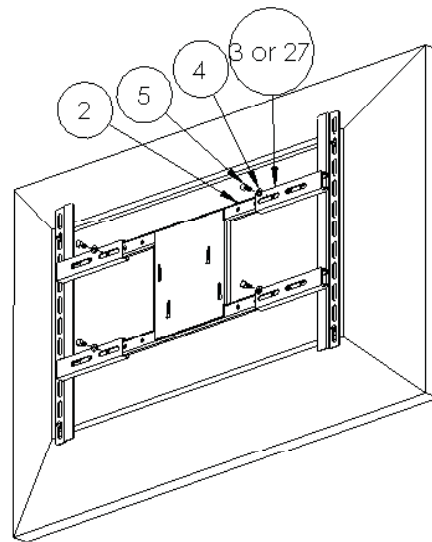
Slide either extension brackets A or B (3) or (27) (depending on which works better for your TV) onto the support plate (2) and match up the slots on the extension brackets to the holes on the back of your TV.

Step 3

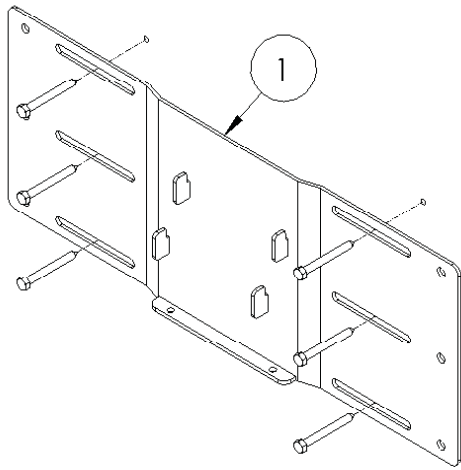
Determine the correct screw size and if you need to use washers, lock washers, or spacers. Note: Spacers are used for TVs with recessed hole patterns. Secure the TV to the extension brackets (3) or (27) using the appropriate hardware (9) through (26).

Step 4

Center the support plate (2) on the TV and use the 5/16" screws and washers (4) and (5) to secure the extension brackets in place.



Step 4: Securing the extension bracket position.



Step 5: Attaching the wall plate to the mounting surface.
(Lag bolts are not included)

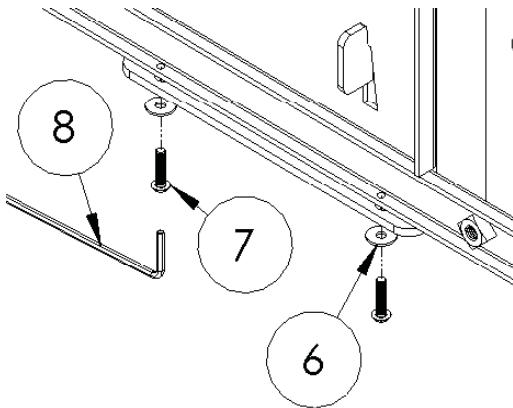
Step 5

Mark wall or desired mounting surface in preparation of installation of the wall plate ① to desired surface. Pre-drill if necessary and mount wall plate ① to desired surface. Make sure the wall plate is secure on the mounting surface. **Warning: Please verify that your mounting surface will support the combined weight of your mount, mounting hardware, and monitor. Also verify that the mounting surface is safe to drill through. If in doubt about either please contact a professional installer.**

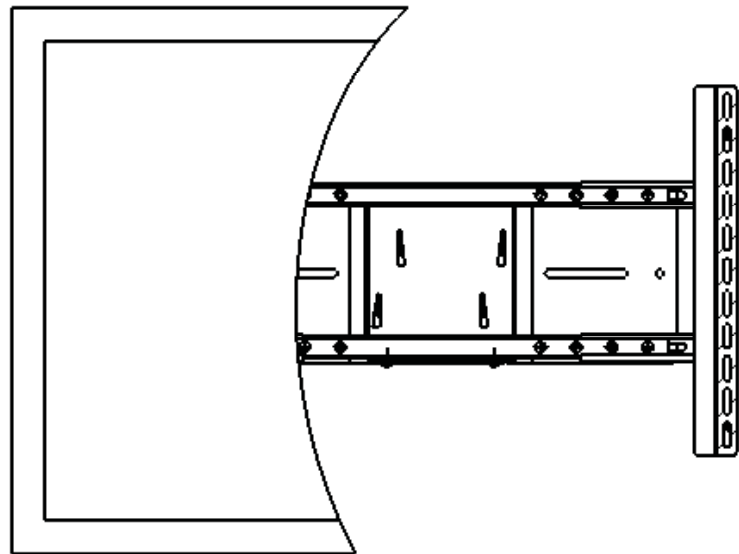
Step 6

Lift up the TV and put the support plate ② onto the wall plate ① by inserting the tabs on the wall plate ① through the slots on the support plate ②. **This step usually requires at least two people.** Use the M5 screw and washer ⑦ and ⑥ and the long Allen key ⑧ to secure the support plate ② to the wall plate ①.

Verify all nuts and screws are completely and securely fastened.



Step 6: Attaching the M5 security screws (TV hidden for clarity)



Enjoy Your Mount!



WARNING: The installer of these products must verify that the mounting surface, ceiling or wall, will safely support the combined weight of all attached equipment and hardware. Video Mount products will not be held liable for the improper use or installation of its products.