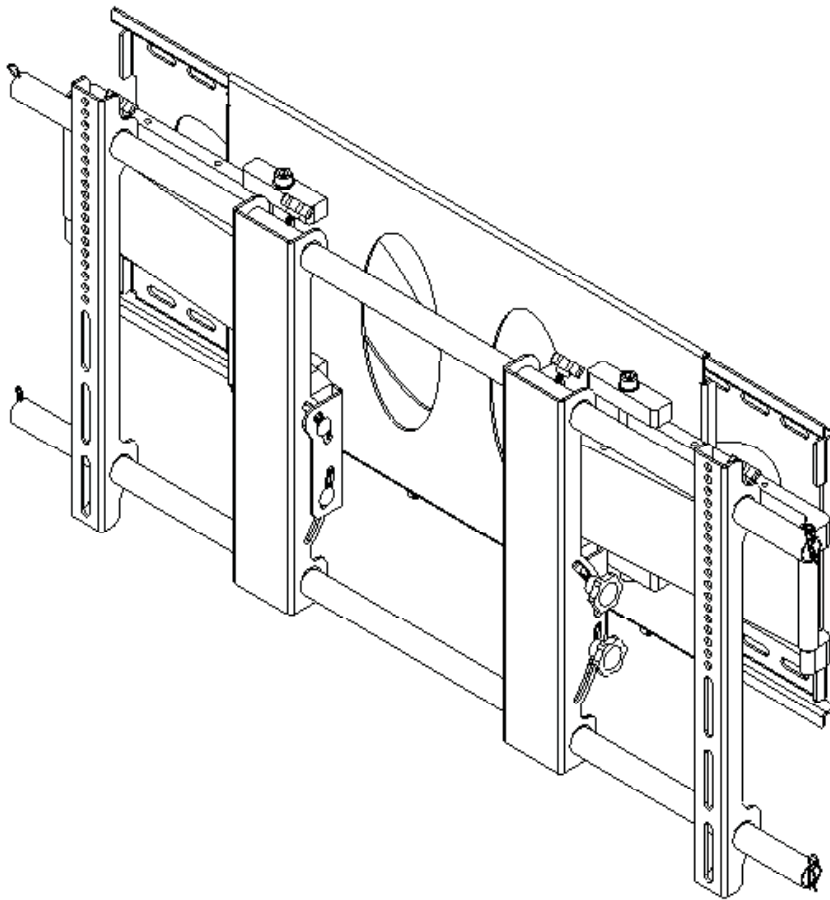


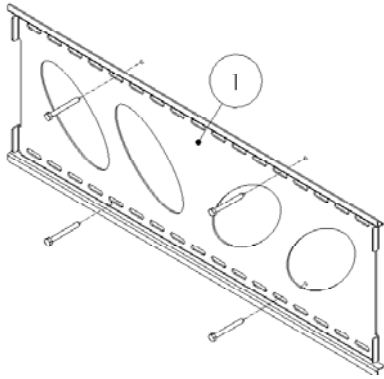
WMP

VIDEO MOUNT PRODUCTS

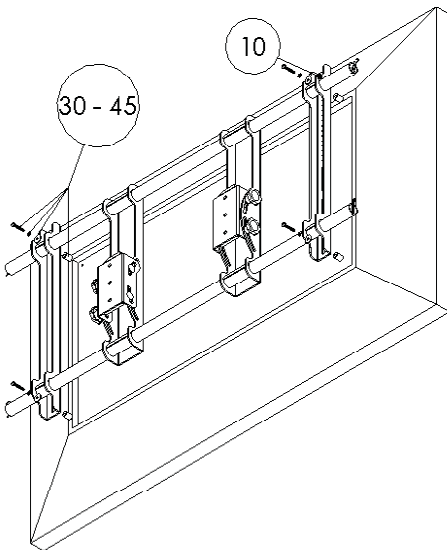
Instruction Sheet For:
PDM-W



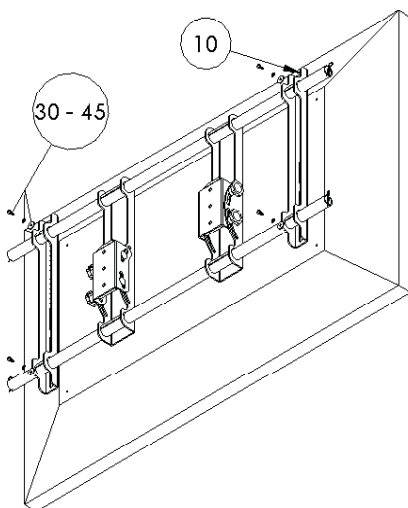
For more information, please contact us at:
325 Log Canoe Circle, Stevensville, Maryland 21666
(T) 410.643.6390 / (F) 410.643.6615
www.videomount.com



Step 2: Installing the wall plate
(Lag screws are not included)



Step 3A: Attaching a TV with a
recessed hole pattern
(Spacers used)



Step 3B: Attaching a TV with a flat
hole pattern (Spacers not used)

Step 1

Before starting, lay out all parts to your mount and match them to the parts list provided. Verify that you have all your parts before attempting to assemble the mount

Step 2

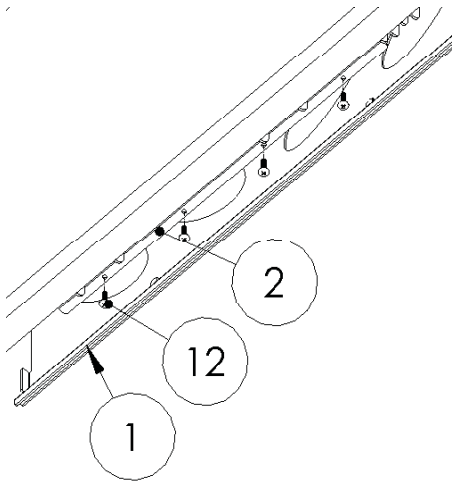
Mark the wall or desired mounting surface in preparation of installation of wall plate (1). Pre-drill if necessary and mount the wall plate (1) to desired surface. **Warning: Please verify that your mounting surface will support the combined weight of your mount, mounting hardware, and monitor. Also verify that the mounting surface is safe to drill through. If in doubt, please contact a professional installer.**

Step 3

Determine the correct screw size and if you need to use washers, lock washers, or spacers.

Note: Spacers are used for TVs with recessed hole patterns. Secure the TV to the screen mounting brackets (10) using the appropriate hardware (30) through (45). In order to line up the holes on the screen mounting bracket (10) you may need to loosen the adjustable screws (51) make sure to retighten them after if you do.

Note: For smaller hole patterns it may be necessary to place one of the screen mounting brackets (10) in between the pivot mount brackets (9) To do so simply take the cotter pins (59) off of one side of the mounting tube (11). Slide of the screen mounting bracket (10) and the pivot mount bracket (9) and slide them back on in the reverse order. Put back the cotter pins (59) in the mounting tubes (11) afterwards. Note: Pictures of step 3 are shown with much of the mount hidden for clarity.



Step 4: Attaching the wall mounting plate to the wall plate

Step 4

Lift the monitor with the arms attached so the bent lip on the wall mounting bracket (2) catches the top edge of the wall plate (1). **Note: This should be done with at least two people in order to prevent possible injury.** Once the wall mounting bracket (2) is on the wall plate (1) then use the ¼" – 20UNC screws (12) to secure the wall mounting bracket in place.

Step 5

In order to tilt the mount, loosen the tilt adjustment knobs (24) slightly tilt the monitor and retighten the knobs. **Please verify that all nuts and screws are securely tightened**

Enjoy Your Mount!



WARNING: The installer of these products must verify that the mounting surface, ceiling or wall, will safely support the combined weight of all attached equipment and hardware. Video Mount products will not be held liable for the improper use or installation of its products.