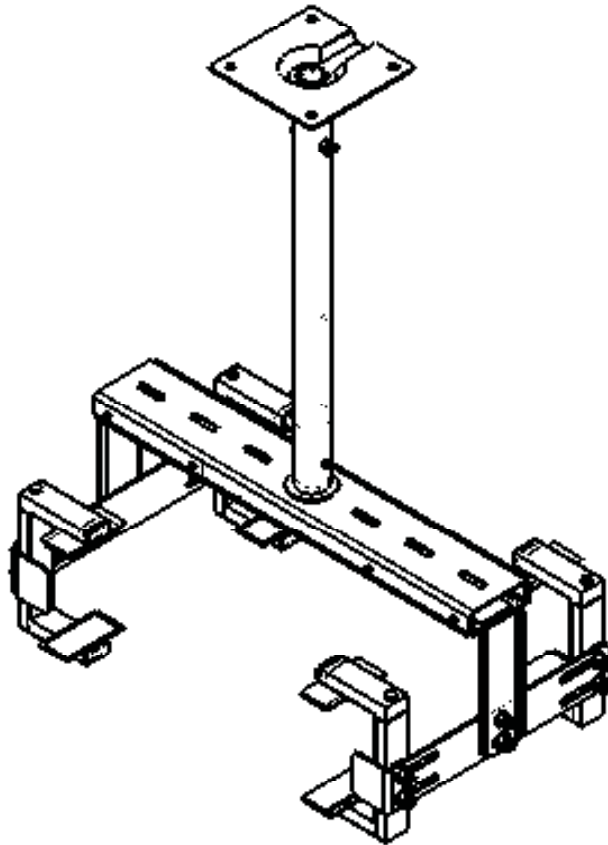


WMP

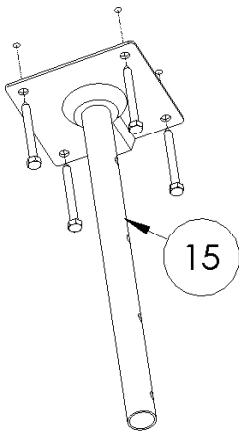
VIDEO MOUNT PRODUCTS

Instruction Sheet For:

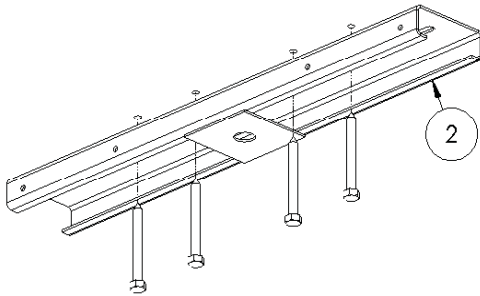
PM-1



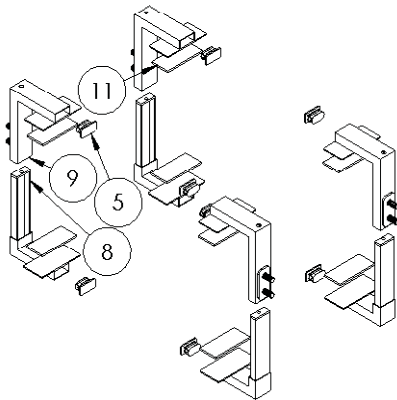
*For more information, please contact us at:
325 Log Canoe Circle, Stevensville, Maryland 21666
(T) 410.643.6390 / (F) 410.643.6615
www.videomount.com*



Step 2A: Attaching the ceiling plate to the ceiling
(lag screws are not included)



Step 2B: Attaching the master support to the ceiling
(lag screws are not included)



Step 3: Inserting the end plugs and attaching the anti-skid padding

Step 1

Before starting, lay out all parts to your mount and match them to the parts list provided. Verify that you have all your parts before attempting to assemble the mount.

Step 2

Mark the ceiling or desired mounting surface in preparation of installation of ceiling plate (15) OR master support (2). (Use the ceiling plate (15) if you want to use the ceiling mast provided OR use the master support (2) if you wish to flush mount the projector) Pre-drill if necessary and mount the ceiling plate (15) OR master support (2) to desired surface. **Warning: Please verify that your mounting surface will support the combined weight of your mount, mounting hardware, and monitor. Also verify that the mounting surface is safe to drill through. If in doubt, please contact a professional installer.**

Step 3

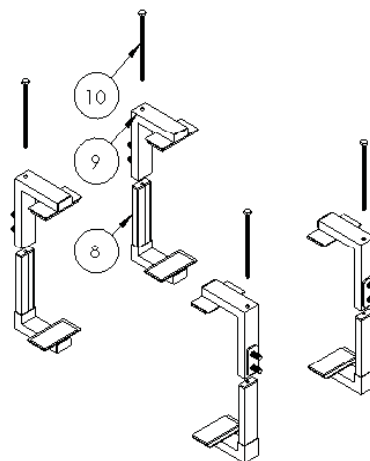
Insert the end plugs (5) into all the top (9) and lower (8) holders. Apply the anti-skid padding (11) to the top (9) and lower (8) holders.

Step 4

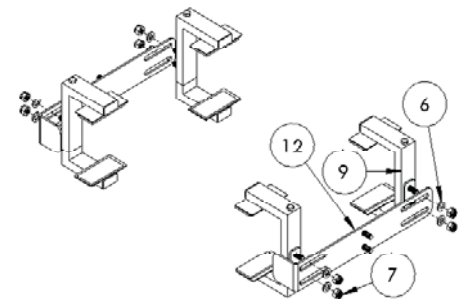
Insert the lower holder (8) into the top holder (9) and screw the long M6 hex head screw (10). Repeat for all four sets of lower (8) and top (9) holders.

Step 5

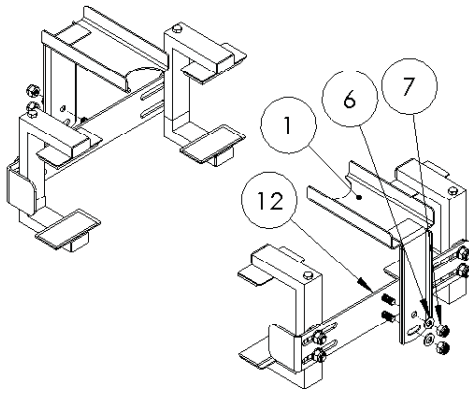
You will note that there are threaded screws welded to the sides of the top holders. Slide the welded screws on the top holder (9) through the slots in the adjustable stopper (12). Use washers (6) and nylon nuts (7) to secure the holders (9) to the adjustable stoppers (12).



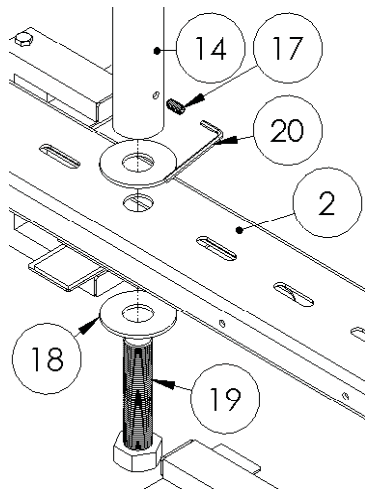
Step 4: Assembling the top and lower holders



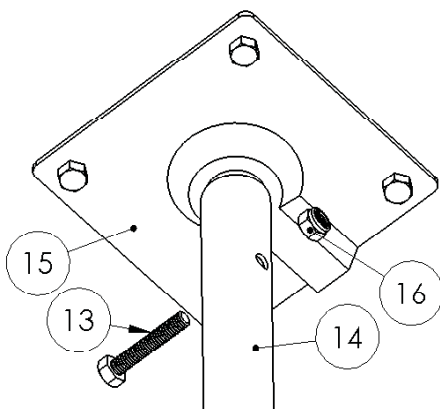
Step 5: Attaching the adjustable stoppers



Step 6: Attaching the extension platforms



Step 7: Attaching the outer tube to the master support



Step 8: Attaching the outer tube to the ceiling plate



Step 6

Slide the extension platforms (1) onto the welded screws on the adjustable stoppers (12). Secure the platforms (1) onto the adjustable stoppers (12) using the washers (6) and nylon nuts (7). *If you are flush mounting the projector proceed to step 9.*

Step 7

Attach the outer tube (14) to the master support (2) using the 3/4" screw (19) and washers (18). Once the 3/4" screw is securely tightened, tighten down the brake screw (17) into the outer tube (14) using the Allen key (20). When securely tightened, this will keep the 3/4" screw (19) from backing out.

Step 8

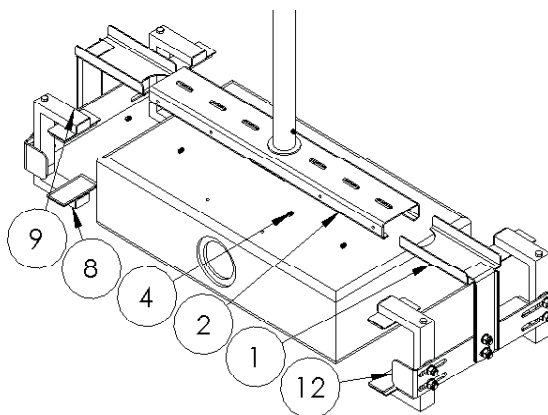
Determine the desired drop length from ceiling and attach the outer tube (14) to the ceiling plate (15) using the 5/16" screw (13) and nylon nut (16).

Step 9

Slide the extension platforms (1) into the master support (2). Insert the projector in between the top (9) and lower (8) holder sets and adjust the extension platforms (1) and the top (9) and lower (8) holders until the projector is clamped tight top to bottom and left to right. Tighten all nylon nuts on the top holders (8) and adjustable stoppers (12). Use brake screws (4) to secure the extension platforms (1) in the final position within the master support (2). Please verify that all nuts and screws are securely tightened.

Enjoy Your Mount!

WARNING: The installer of these products must verify that the mounting surface, ceiling or wall, will safely support the combined weight of all attached equipment and hardware. Video Mount Products will not be held liable for the improper use or installation of its products.



Step 9: Inserting brake screws and the projector