

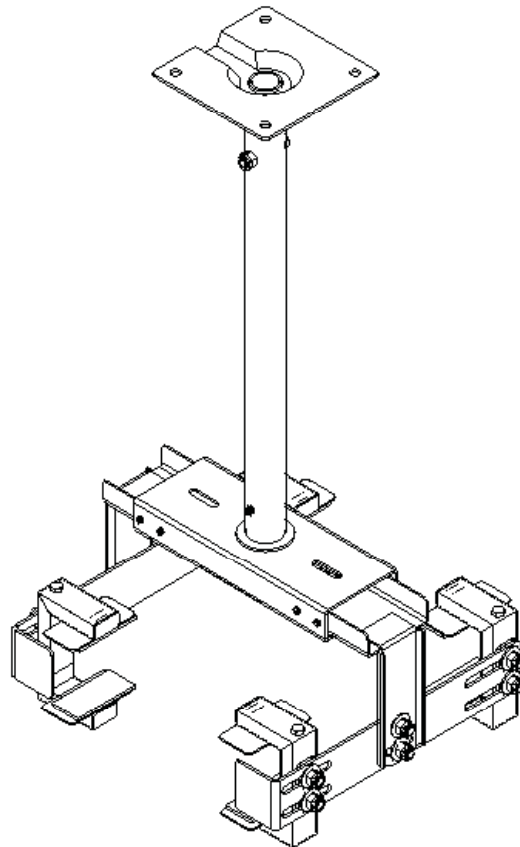
# **WMP**

VIDEO MOUNT PRODUCTS

*Instruction Sheet For:*

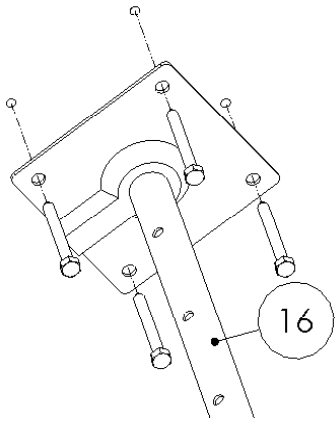
## **PM-2**

---

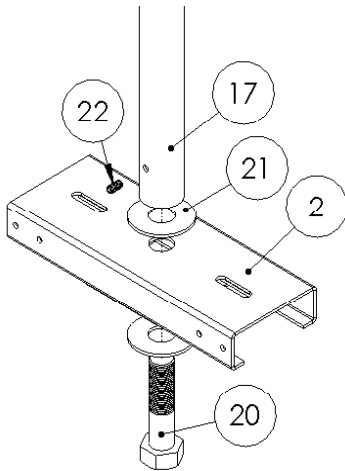


---

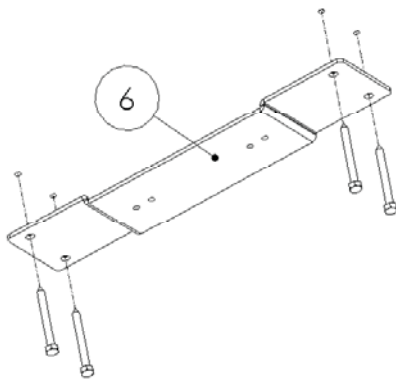
*For more information, please contact us at:  
325 Log Canoe Circle, Stevensville, Maryland 21666  
(T) 410.643.6390 / (F) 410.643.6615  
[www.videomount.com](http://www.videomount.com)*



Step 2: Attaching the ceiling mounting bracket to the ceiling  
(Lag screws are not included)



Step 3: Attaching the extension support to the master support



Step 4: Attaching the flush ceiling plate to the ceiling  
(Lag screws are not included)

### Step 1

Before starting, lay out all parts to your mount and match them to the parts list provided. Verify that you have all your parts before attempting to assemble the mount.

*If you are using a ceiling mast,*

### Step 2

Mark the ceiling or desired mounting surface in preparation of installation of the ceiling mounting bracket (16). Pre-drill in necessary and mount the ceiling mounting bracket (16) to the desired mounting surface. **Warning: Please verify that your mounting surface will support the combined weight of your mount, mounting hardware, and monitor. Also verify that the mounting surface is safe to drill through. If in doubt, please contact a profession installer.**

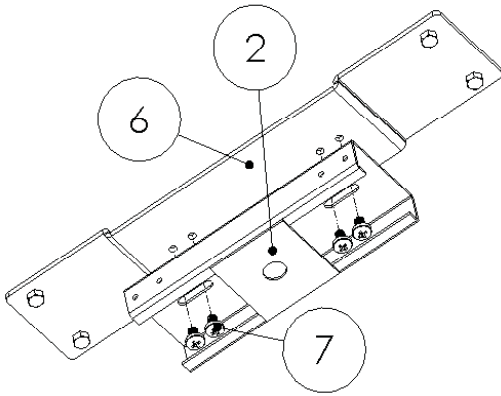
### Step 3

Attach the extension support (17) to the master support (2) using the 3/4" bolt (20) and washers (21). To prevent the 3/4" bolt (20) rotating out, insert the 1/4" brake screw (22) into the threaded hole in the extension support (17). Tighten the brake screw (22) onto the 3/4" bolt (20). **Proceed to step 6.**

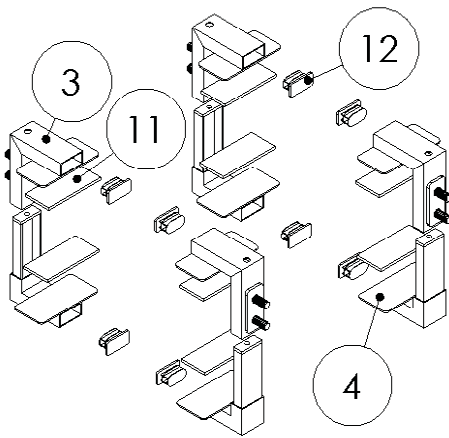
*If you are using the flush mount plate,*

### Step 4

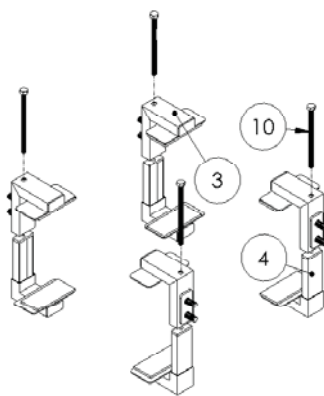
Mark the ceiling or desired mounting surface in preparation of installation of the flush mount plate (6). Pre-drill in necessary and mount the flush mount plate (6) to the desired mounting surface. **Warning: Please verify that your mounting surface will support the combined weight of your mount, mounting hardware, and monitor. Also verify that the mounting surface is safe to drill through. If in doubt, please contact a profession installer.**



*Step 5: Attaching the master support to the flush ceiling plate*



*Step 6: Inserting end plugs and anti skid padding*



*Step 7: Connecting the top and lower holders*



**Step 5**

Attach the master support (2) to the flush mount plate using the 1/4" screws (7).

**Step 6**

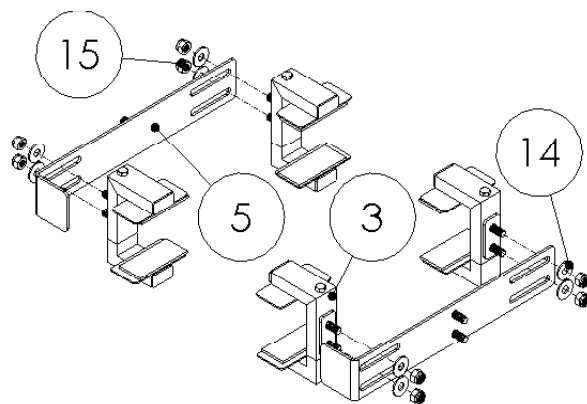
Insert the end plugs (12) into all the top (3) and lower (4) holders. Place anti skid padding (11) onto all the top (3) and lower (4) holders.

**Step 7**

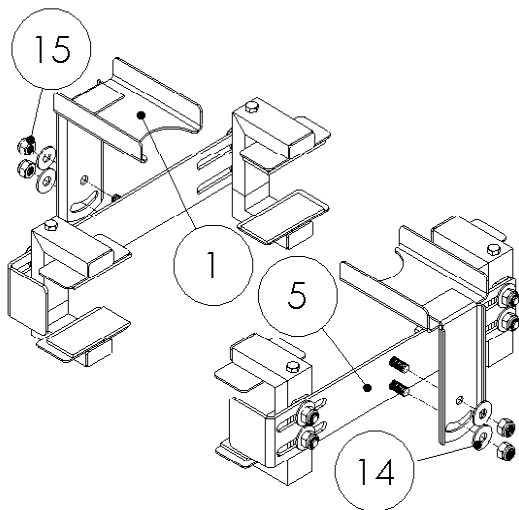
Insert the top holders (3) into the lower holders (4) and screw the long M6 screws (10) into the lower holders by first inserting the screw through the holes in the top of the top holders.

**Step 8**

Insert the welded screws on the top holders (3) through the slots cut into the adjustable stoppers (5). Use washers (14) and nylon nuts (15) to attach the top holders (3) to the adjustable stoppers (5).



*Step 8: Attaching the top holders to the adjustable stoppers*



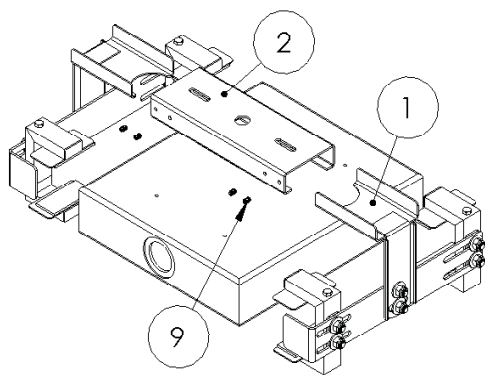
Step 9: Attaching the adjustable stoppers to the extension platform

### Step 9

Insert the welded screws on the adjustable stoppers (5) through the hole and slot cut into the extension platforms (1). Use washers (14) and nylon nuts (15) to secure the extension platforms (1) to the adjustable stoppers (5).

### Step 10

Slide the extension platforms (1) into the master support (2). Insert the projector in between the top (3) and lower (4) holder sets and adjust the extension platforms (1) and the top (3) and lower (4) holders until the projector is clamped tight top to bottom and left to right. Tighten all nylon nuts (15) on the top holders (3) and adjustable stoppers (5). Use brake screws (9) to secure the extension platforms (1) in the final position with in the master support (2). **If you are flush mounting please proceed to step 12.**



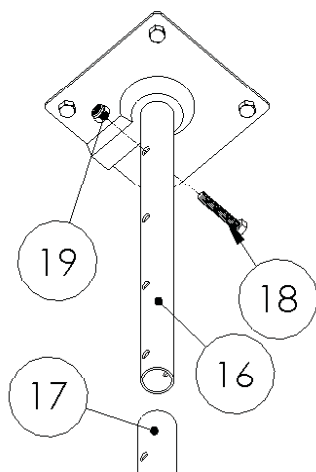
Step 10: Placing the projector into the clamps (shown with out flush mount plate or extension support for clarity)

### Step 11

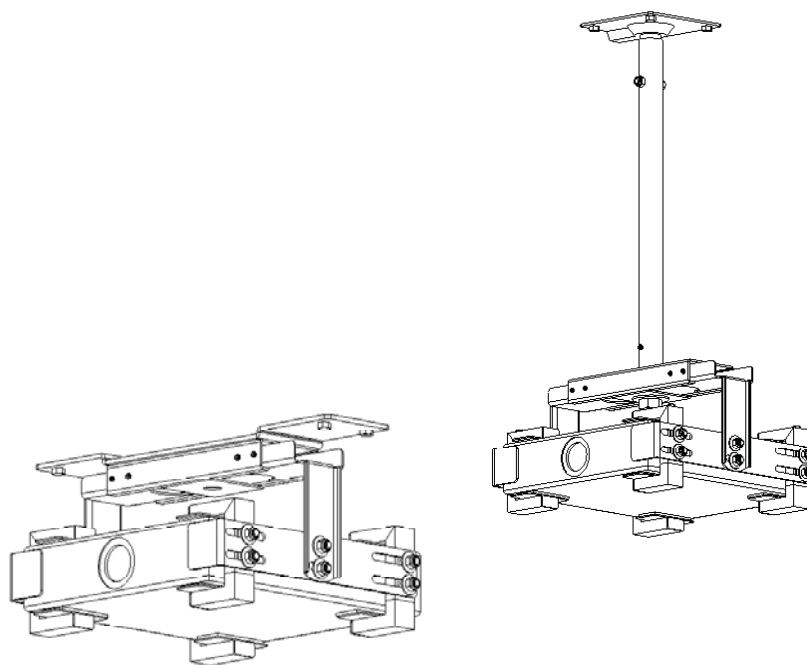
Attach the extension support (17) to the ceiling mounting bracket (16) using the 5/16" screw (18) and nylon nut (19).

### Step 12

**Please verify that all nuts and screws are securely tightened.**



Step 11: Attach the extension support to the ceiling mounting bracket



## Enjoy Your Mount!

**WARNING:** The installer of these products must verify that the mounting surface, ceiling or wall, will safely support the combined weight of all attached equipment and hardware. Video Mount Products will not be held liable for the improper use or installation of its products.