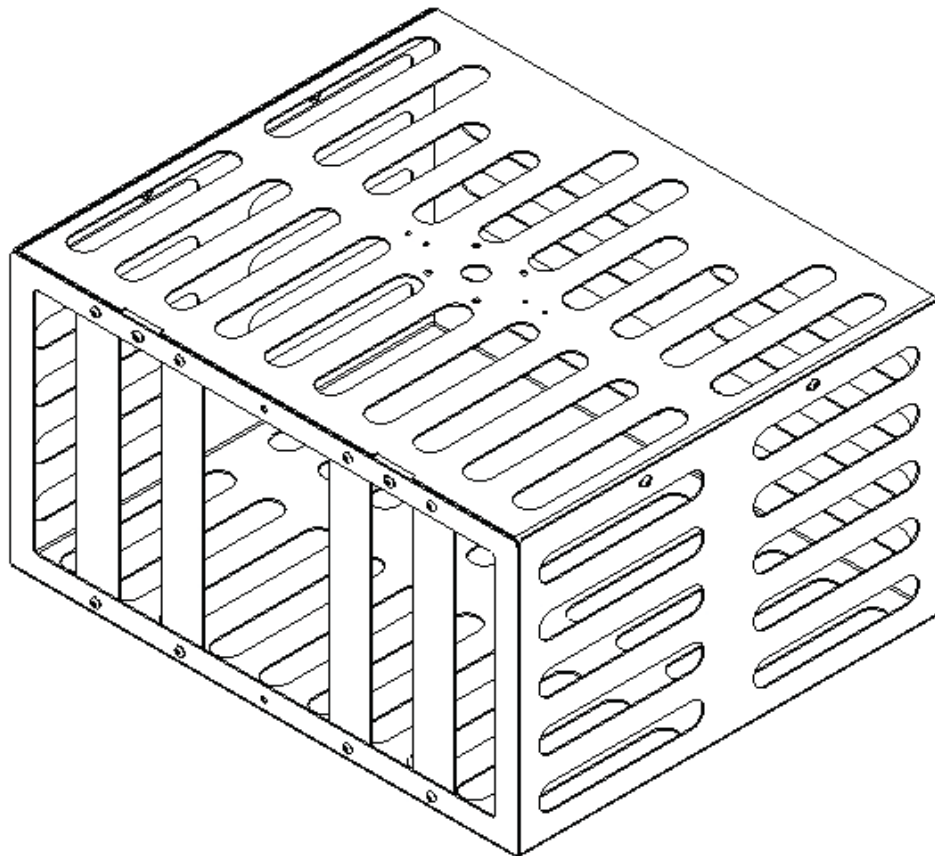


WMP

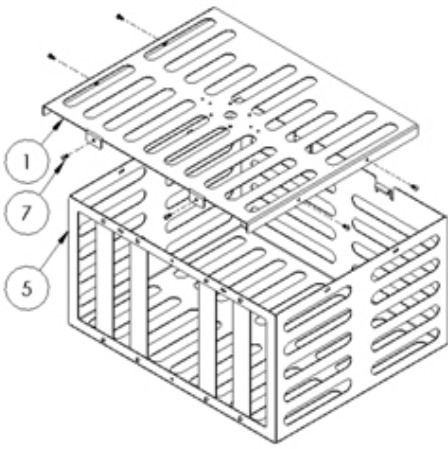
VIDEO MOUNT PRODUCTS

Instruction Sheet For:

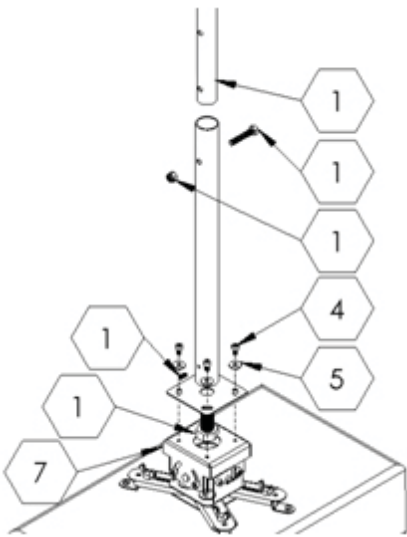
PMC-L



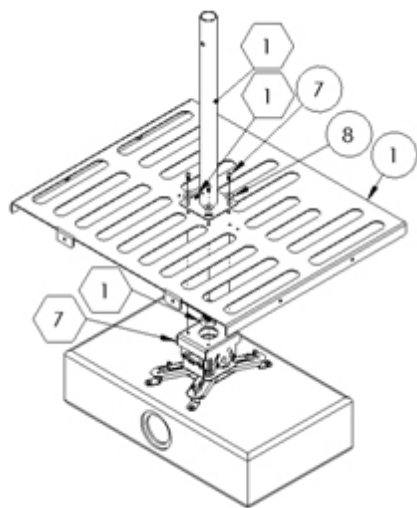
*For more information, please contact us at:
325 Log Canoe Circle, Stevensville, Maryland 21666
(T) 410.643.6390 / (F) 410.643.6615
www.videomount.com*



Step 2: Removing the bottom box



Step 3: Removing the ceiling mounting bracket



Step 4: Attaching the ceiling mounting bracket

Step 1

Before starting, lay out all parts to your mount and match them to the parts list provided. Verify that you have all your parts before attempting to assemble the mount. Note: For the instructions PMC-L parts have circles around their numbers, PM-1 has triangles, PM-3 has hexagons and AK-1 has diamonds.

Step 2

First remove the top plate ① PMC-L from the bottom box ⑤ PMC-L by removing the M6 security screws ⑦ PMC-L and lifting off the top plate from the hooks on the bottom box.

To determine which steps to follow first you need to determine which VMP part numbers you are trying to use with the PMC-L. If you are using only a PM-3 proceed to Step 3. If you are using a PM-3 with an AK-1 proceed to Step 5. If you are using only a PM-1 proceed to Step 8. If you are using a PM-1 with an AK-1 proceed to Step 11.

Step 3

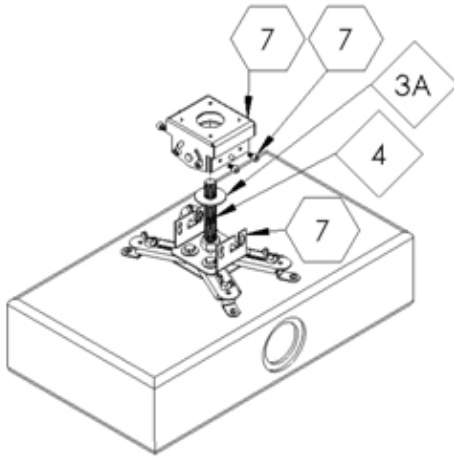
If you have not attached the projector to the projector mount ⑦ PM-3 please take time to do so now. Remove the lower half of the ceiling mounting bracket ① PM-3 by removing the 5/16" screw and nylon nut from the mast. Next remove the projector mount ⑦ PM-3 from the lower half of the ceiling mounting bracket ① PM-3 by removing the M6 screws ④ PM-3 and washers ⑤ PM-3. Remove the 1/4" brake screw in the ceiling mounting bracket so you are able to remove the 3/4" screw in the bottom of the ceiling mounting bracket ① PM-3.

Step 4

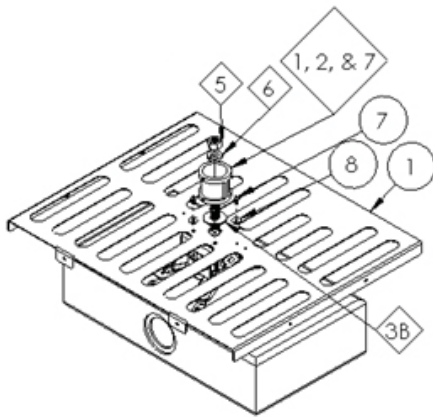
Insert the 3/4" screw ① PM-3 through the top plate ① PMC-L. Screw the lower half of the ceiling mounting bracket ① PM-3 onto the 3/4" screw making sure the square plate of the bracket is on top of the top plate ① PMC-L and both of those are sandwiched between the mast and 3/4" screw. Using the M6 security screws ⑦ PMC-L and washers ⑧ PMC-L attach the ceiling mounting bracket ① PM-3 to the projector mount ⑦ PM-3 with the top plate ① PMC-L between them. *Proceed to step 15.*

Key:

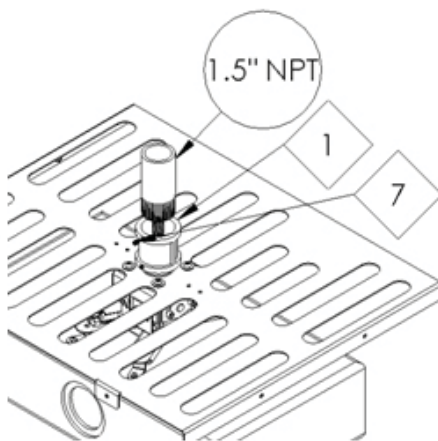
○	PMC-L
⬡	PM-3



Step 5: Inserting the AK-1 screw into the PM-3



Step 6: Attaching the AK-1 to the top plate



Step 7: Inserting the 1.5" NPT pipe

Step 5

If you have already mounted the PM-3 with an AK-1 then proceed to Step 6. Otherwise continue with this step. First disassemble the projector mount (7) PM-3 by removing the M6 socket screws and washers on the sides of the projector mount where there is a "J" shape slot. Next take the washer (3A) AK-1 and 5/8" screw (4) AK-1 and slide the screw through the washer and then through the large hole in the top of the PM-3 making sure the washer will be on the inside of the PM-3 when it is reassembled. Reattach the top of the PM-3 to the bottom using the same screws removed in the first part of this step.

Step 6

Now take the 5/8" screw (4) AK-1 and pass it through the top plate (1) PMC-L and slide the other washer (3B) AK-1 down on top of the top plate. Connect the female couple assembly (1), (2), and (7) AK-1 by using the hex head nut (5) AK-1 and spring washer (6) AK-1 on the 5/8" screw. Attach the top plate (1) PMC-L to the projector mount (7) PM-3 using the M6 security screws (7) PMC-L and washers (8) PMC-L.

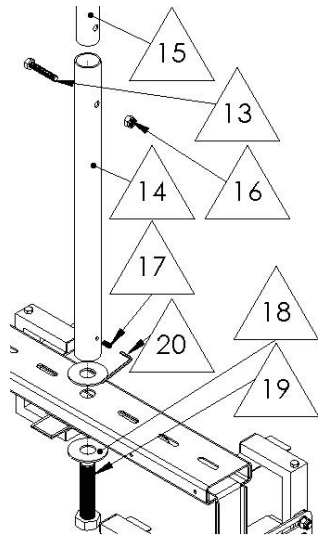
Step 7

To attach the 1.5" NPT pipe simply loosen the 1/4" brake screw (7) AK-1 in the top of the couple (1) AK-1 and screw the pipe into the couple. Make sure to retighten the brake screw (7) AK-1 after screwing in the 1.5" NPT. **Now you can skip to Step 15.**

Key:

○	PMC-L
⬡	PM-3
◇	AK-1





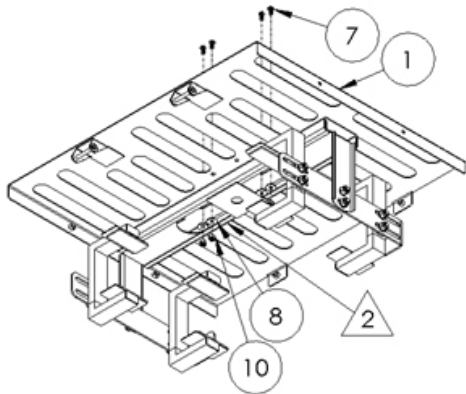
Step 8 : Inserting the 1.5" NPT pipe

Step 8

The next steps assume you are attaching the PMC-L to an already mounted PM-1. If the mount is not assembled please first follow the instruction sheet provided with the PM-1 up to the point where you decide if you are using the ceiling mast or flush mounting and skip step 9. Remove the projector from the clamps. Next remove the extension support $\triangle 14$ PM-1 by removing the 5/16" screw $\triangle 13$ PM-1 and nylon nut $\triangle 16$ PM-1. Detach the extension support $\triangle 14$ PM-1 by first removing the 1/4" - 20 brake screw $\triangle 17$ PM-1 and then removing the 3/4" screw $\triangle 19$ PM-1 and washers $\triangle 18$ PM-1.

Step 9

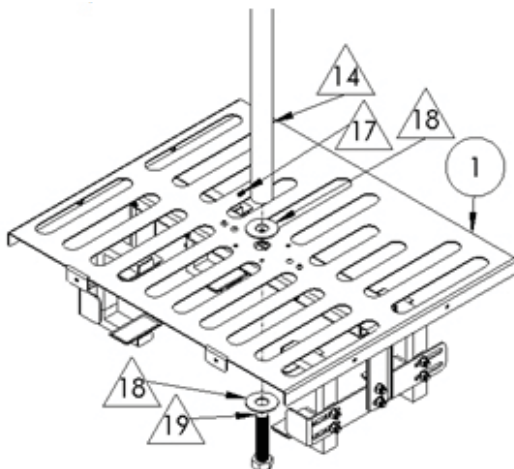
Now attach the master support $\triangle 2$ PM-1 to the top plate $\textcircled{1}$ PMC-L using the M6 security screws $\textcircled{7}$ PMC-L, washers $\textcircled{8}$ PMC-L, and nylon nuts $\textcircled{10}$ PMC-L.



Step 9 : Attaching the master support to the top plate

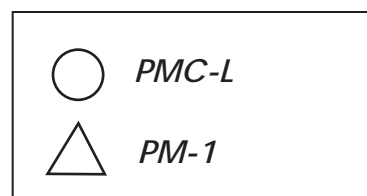
Step 10

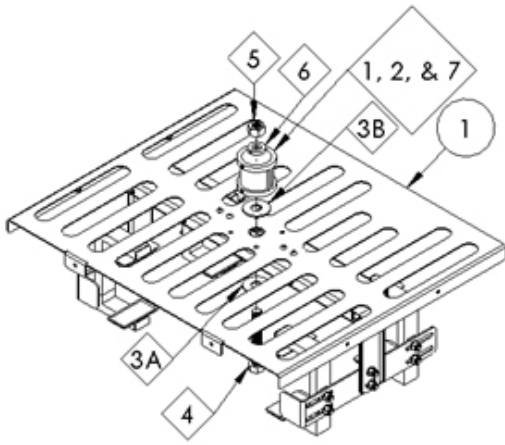
Place the washers removed in Step 8 $\triangle 18$ PM-1 on top of the center hole in the top plate $\textcircled{1}$ PMC-L and underneath the center hole in the master support $\triangle 2$ PM-1. Insert the 3/4" screw $\triangle 19$ PM-1 through the washers, master support, and top plate and use the screw $\triangle 19$ PM-1 to attach the extension support and $\triangle 14$ PM-1. Secure the 3/4" screw using the 1/4" - 20 brake screw $\triangle 17$ PM-1. Proceed to Step 15.



Step 10: Attaching the outer tube to the top plate

Key:





Step 11: Attaching the AK-1 to the top plate

Step 11

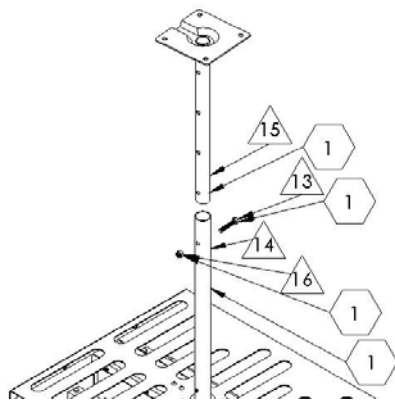
If you are using the AK-1 with the PM-1, place the AK-1 washers **3A** and **3B** AK-1 on top of the center hole in the top plate **1** PMC-L and underneath the center hole in the master support **2** PM-1. Insert the 5/8" screw through the washers, master support, and top plate and using the hex head nut **5** AK-1 and spring washer **6** AK-1 connect the female couple **1**, **2**, and **7** AK-1 to the top plate **1** PMC-L.

Step 12

Reinsert the projector in the clamps of the PM-1.

Step 13

Refer to **Step 7** to find out how to attach the 1.5" NPT to the female couple (**1**, **2**, and **7** AK-1).



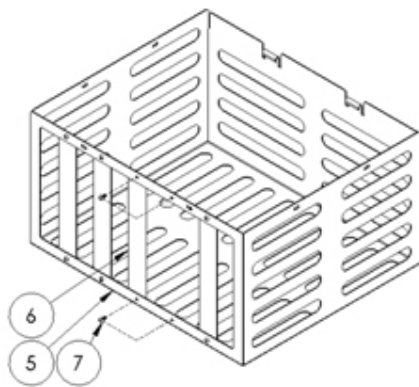
Step 14 : Attaching the bottom tube to the ceiling plate

Step 14

Reattach the bottom tube **14** PM-1 or **1** PM-3 to the ceiling plate **15** PM-1 or **1** PM-3 using the 5/16" screw **13** PM-1 or **1** PM-3 and nylon nut **16** PM-1 or **1** PM-3.

Step 15

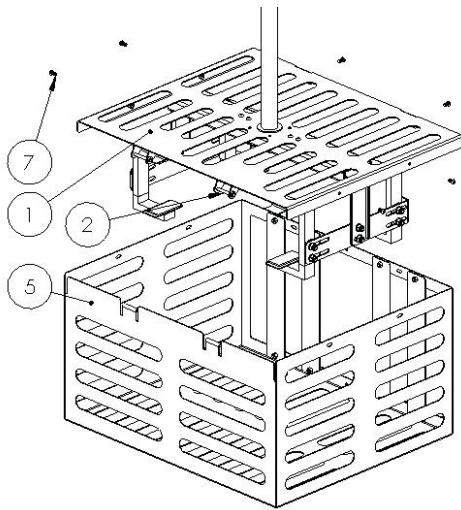
If a security bar **6** PMC-L is blocking the lens of your projector proceed with this step, otherwise skip to **Step 16**. You can move a security bar **6** PMC-L along the front of the bottom box **5** PMC-L by first removing the two M6 security screws **7** PMC-L. Then you can shift the chosen bar to the center and then reattach the bar using the same M6 Security Screws **7** PMC-L.



Step 15 : Shifting a security bar

Key:

	PM-3
	PMC-L
	AK-1



Step 16 : Attaching the bottom box

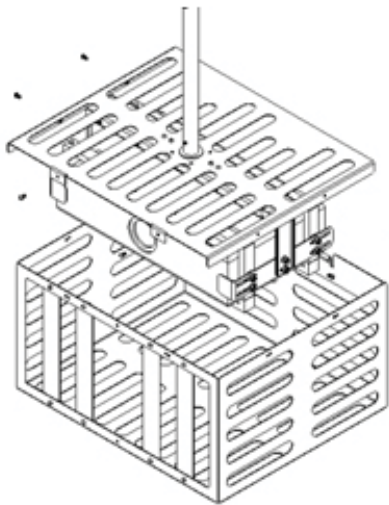
Step 16

Lift the hooks of the bottom box (5) PMC-L onto the running shafts (2) PMC-L. Then swing the bottom box (5) PMC-L up so the holes on the top plate (1) PMC-L line up with the slots on the bottom box (5) PMC-L. Secure the bottom box in place using the M6 security screws (7) PMC-L.

Step 17

Maintenance Notes: For maintenance of the projector the bottom box (5) PMC-L can either be lifted off the top plate (1) PMC-L or the box can be swung on the hooks in the rear of the of the bottom box. **WARNING: Be careful not to stand directly underneath or behind the bottom box when you remove the security screws as the box will swing down abruptly.**

Enjoy Your Mount!



Step 17 : Attaching the bottom box

WARNING: The installer of these products must verify that the mounting surface, ceiling or wall, will safely support the combined weight of all attached equipment and hardware. Video Mount Products will not be held liable for the improper use or installation of its products.

Key:

