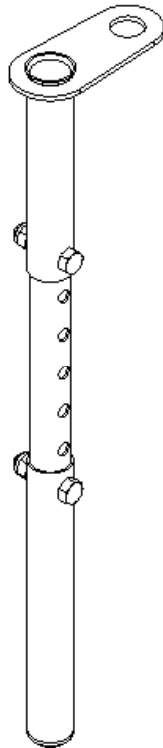


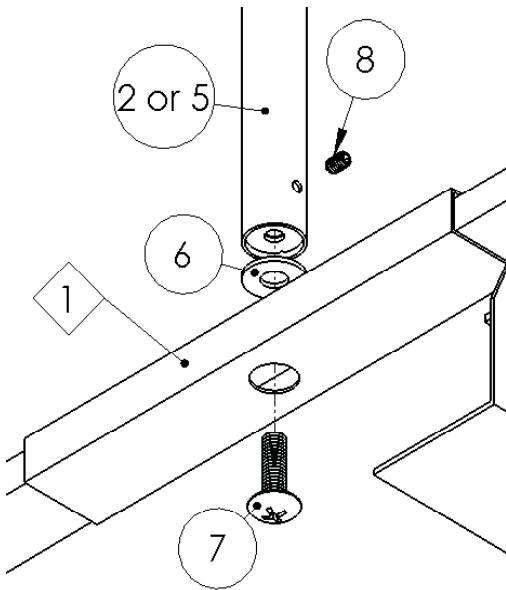
WMP

VIDEO MOUNT PRODUCTS

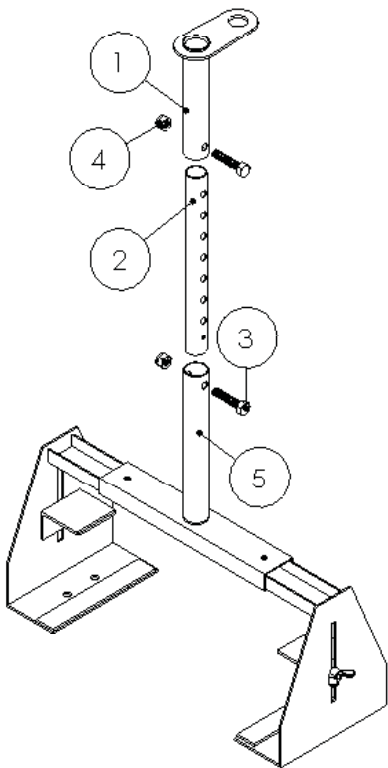
Instruction Sheet For:
VH-004



For more information, please contact us at:
325 Log Canoe Circle, Stevensville, Maryland 21666
(T) 410.643.6390 / (F) 410.643.6615
www.videomount.com



Step 2: Attaching the VH-004 to the VH-001



Step 3: Adjusting the height of the VH-004

Step 1

Before starting, lay out all parts to your mount and match them to the parts list provided. Verify that you have all your parts before attempting to assemble the mount.

Note: It is assumed that you are trying to attach the VH-001 to an already assembled and mounted LCD/Plasma mount and have already assembled the VH-001. If not please proceed to assemble and mount the LCD/Plasma mount and assemble the VH-001.

Step 2

Attach the VH-004 to the VH-001 by inserting the 3/8" screw (7) VH-004 up through the bottom hole in the center of the force arm (1) VH-001. Place washer (6) VH-004 onto the screw (7) VH-004 and attach either extension tube A (2) VH-004 or extension tube B (5) VH-004. You would use extension tube A if you need the drop distance to be between 6" and 13" (most commonly LCD-1C) and extension tube B for drop distance from 13" to 17" (most commonly LCD-2537C and PDM-C). Always use a brake screw (8) VH-004 in either extension tube A or B (2) or (5) VH-004 to secure the 3/8" screw (7) VH-004.

Step 3

To adjust the height, simply remove the 5/16" screws (3) VH-004 and nuts (4) VH-004 and slide the holes in the extension tube A (2) VH-004 along until they line up with the holes in the mount connector (1) VH-004 (and if needed extension tube B (5) VH-004) which provide you with the desired height. Reinsert the 5/16" screws and nuts when you have reached the desired height.

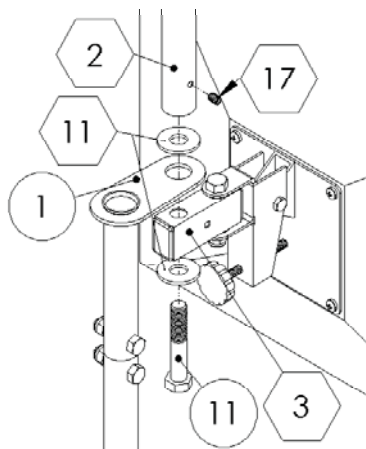
Step 4

Now you must determine which mount you are trying to attach the VH-004 to. If you are trying to attach the VH-004 to the LCD-1C proceed to Step 5. If you are trying to attach the VH-004 to the LCD-2537C proceed to Step 6. If you are trying to attach the VH-004 to the PDM-C proceed to Step 7.

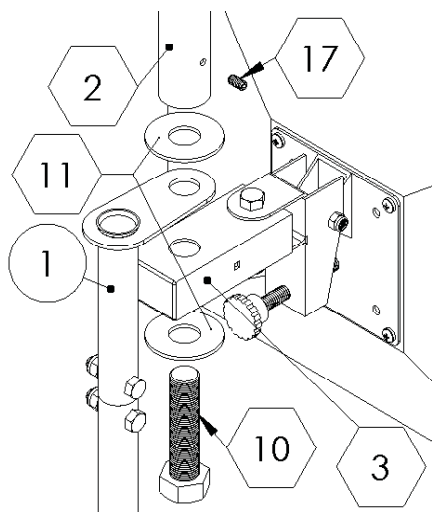
Key:

○	VH-004
◇	VH-001
⬡	LCD/Plasma Mounts

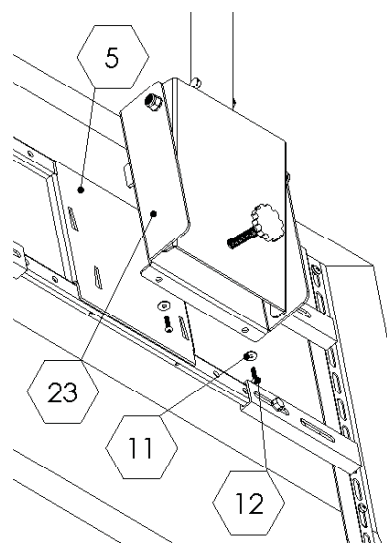
WMP
VIDEO MOUNT PRODUCTS



Step 5: Attaching the VH-001 to the LCD-1C



Step 6: Attaching the VH-001 to the LCD-2537C



Step 7: Removing the monitor

Step 5

Remove the brake screw (17) LCD-1C from the side of the extend tube (2) LCD-1C. Then remove the M12 screw from the bottom of the extend tube (2) LCD-1C. Place the mount connector (1) VH-004 in between the top washer (11) LCD-1C and the support tube (3) LCD-1C. Use the M12 screw provided with the VH-004 (11) VH-004 and insert it through the washers (11) LCD-1C, support tube (3) LCD-1C and mount connector (1) VH-004. Attach the extend tube (2) LCD-1C onto the M12 screw (11) VH-004 and use the brake screw (17) LCD-1C to secure the M12 screw into place. *Proceed to step 10.*

Step 6

Remove the brake screw (17) LCD-2537C from the side of the extension tube (2) LCD-2537C. Then remove the 3/4" screw (10) LCD-2537C from the bottom of the extension tube (2) LCD-2537C. Place the mount connector (1) VH-004 in between the top washer (11) LCD-2537C and the support tube (3) LCD-2537C. Insert the 3/4" screw back through the washer (11) LCD-2537C, support tube (3) LCD-2537C and mount connector (1) VH-004 and through the second washer (11) LCD-2537C. Screw the extension tube (2) LCD-2537C onto the 3/4" screw (10) LCD-2537C and use the brake screw (17) LCD-2537C to secure 3/4" screw into place. *Proceed to step 9.*

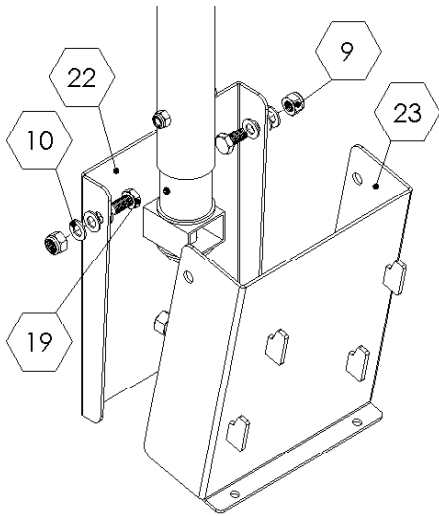
Step 7

First remove the monitor and "H" bracket (5) PDM-C by removing the security screws (12) PDM-C and washers (11) PDM-C from the bottom of the adjusting bracket B (23) PDM-C. Then lift off the "H" mounting bracket (5) PDM-C from the adjusting bracket B (23) PDM-C with the monitor still attached. Place the monitor with the "H" bracket still attached safely aside. Make sure the monitor is not lying horizontal in order to prevent screen damage.

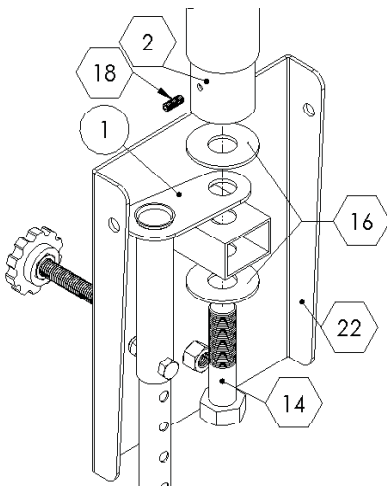
Key:

○	VH-004
◇	VH-001
⬡	LCD/Plasma Mounts

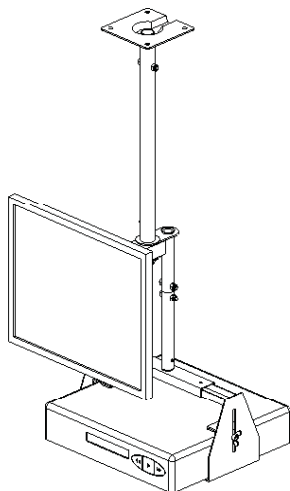




Step 8 : Removing the adjusting bracket B



Step 9 : Attaching the VH-001 to the swivel bracket B



Step 10: Attachment completed (VH-001 shown attached to the LCD-2537C)

Step 8

Remove the adjusting bracket B (23) PDM-C from swivel bracket B (22) PDM-C by removing the M10 screws (19) PDM-C, washers (10) PDM-C, and nylon nuts (9) PDM-C.

Step 9

Remove the brake screw (18) PDM-C from the extension tube (2) PDM-C. Then remove the 3/4" screw (14) PDM-C from the extension tube (2) PDM-C. Place the mount connector (1) VH-004 in between the top washer (16) PDM-C and the rectangular tubing in the center of the swivel bracket B (22) PDM-C. Insert the 3/4" screw through the washers (16) PDM-C, swivel bracket B (22) PDM-C, and mount connector (1) VH-004. Screw the extension tube (2) PDM-C onto the 3/4" screw (14) PDM-C and use the brake screw (18) PDM-C to secure 3/4" screw into place. To reassemble the mount reverse Step 7 and Step 6 in that order.

Step 10

Refer to Step 3 if you wish to adjust the height of the VH-001 underneath the mount. You can insert the device into the VH-001 and swivel it to the desired location. *Please verify that all nuts and screws are tight.*

Enjoy Your Mount!

Warning: Please verify that your mounting surface will support the combined weight of your mount, mounting hardware, and monitor. Also verify that the mounting surface is safe to drill through. If in doubt, please contact a professional installer.

Key:

○	VH-004
◇	VH-001
⬡	LCD/Plasma Mounts

VMP
VIDEO MOUNT PRODUCTS