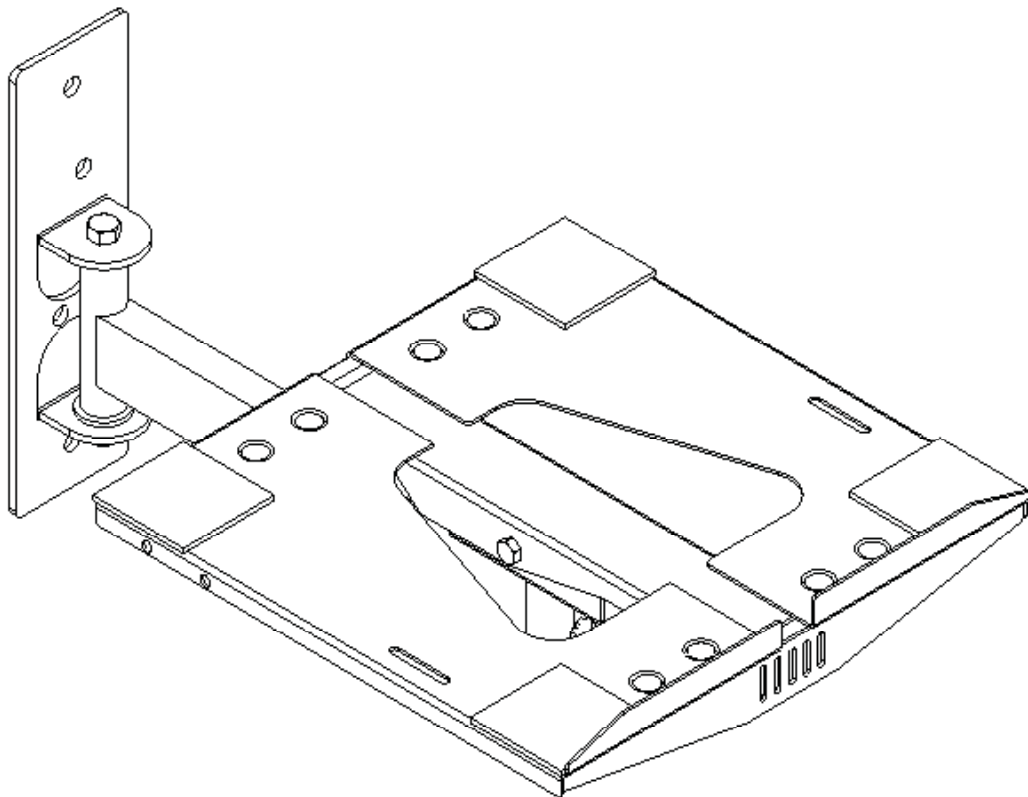


VMP

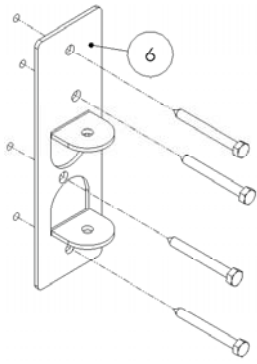
VIDEO MOUNT PRODUCTS

Instruction Sheet For:

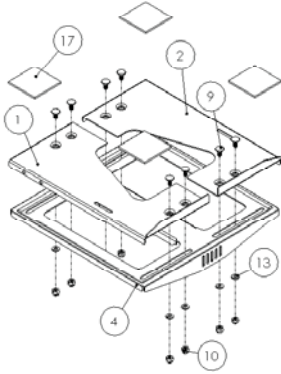
VMP-001B & VMP-001W



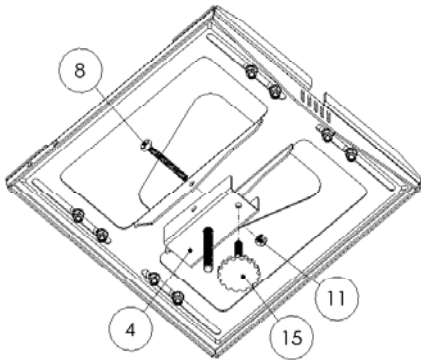
*For more information, please contact us at:
325 Log Canoe Circle, Stevensville, Maryland 21666
(T) 410.643.6390 / (F) 410.643.6615
www.videomount.com*



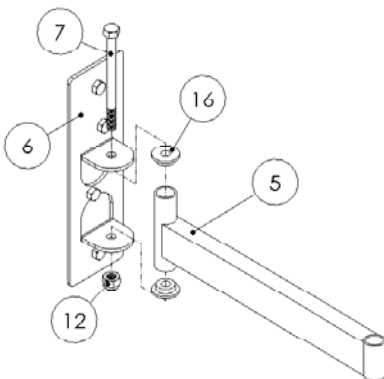
Step 2: Attaching the wall plate to the wall
(Lag screws are not included)



Step 3: Attaching the left and right platforms to the platform base



Step 4: Attaching the fixed bracket to the platform base



Step 5: Attaching the force arm to the wall plate

Step 1

Before starting, lay out all parts to your mount and match them to the parts list provided. Verify that you have all your parts before attempting to assemble the mount.

Step 2

Mark the wall or desired mounting surface in preparation of installation of the wall plate (6). Pre-drill, if necessary, and mount the wall plate (6) to the desired mounting surface. **Warning: Please verify that your mounting surface will support the combined weight of your mount, mounting hardware, and monitor. Also verify that the mounting surface is safe to drill through. If in doubt, please contact a professional installer.**

Step 3

Use the M6 screws (9), lock washers (13) and nylon nuts (10) to attach the left (1) and right (2) platforms to the platform base (3). Apply the non-skid padding (17) to the outer corners of the left (1) and right (2) platforms.

Step 4

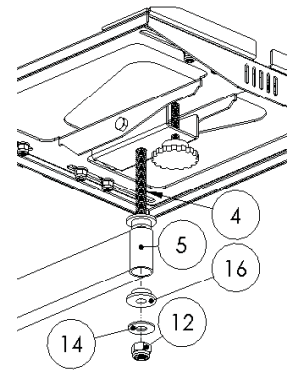
Attach the fixed bracket (4) to the platform base (3) using the 1/4" screw (8) and nylon nut (11). Insert the adjusting screw (15) into the fixed bracket (4).

Step 5

Insert the plastic flanges (16) into the longer circular tube on the force arm (5). Attach the force arm (5) to the wall plate (6) using the 3/8" bolt (7) and nylon nut (12).

Step 6

Insert the plastic flanges (16) into the shorter circular tube on the force arm (5). Attach the fixed bracket (4) to the force arm (5) by inserting the welded screw in the fixed bracket (4) through the plastic flanges (16) and using a washer (14) and nylon nut (12). You can use the adjusting screw (15) to adjust the tilt of the platform base (3). **Please verify that all nuts and screws are tight.**



Step 6: Attaching the fixed bracket to the force arm

Enjoy Your Mount!

WARNING: The installer of these products must verify that the mounting surface, ceiling or wall, will safely support the combined weight of all attached equipment and hardware. Video Mount products will not be held liable for the improper use or installation of its products.