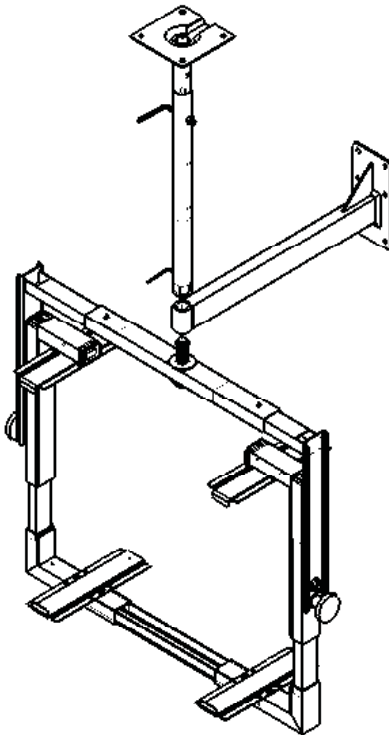


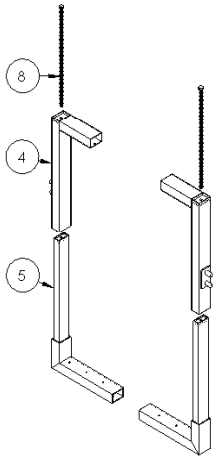
VMP

VIDEO MOUNT PRODUCTS

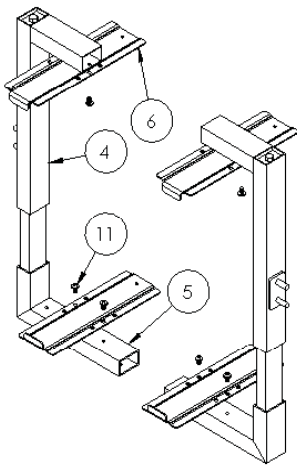
Instruction Sheet For:
VMP 014/024



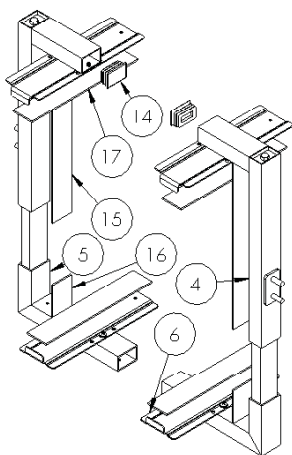
*For more information, please contact us at:
325 Log Canoe Circle, Stevensville, Maryland 21666
(T) 410.643.6390 / (F) 410.643.6615
www.videomount.com*



Step 2: Attaching the top and lower holders



Step 3: Attaching the hold plates



Step 4: Applying padding

Step 1

Before starting lay out all parts to your mount and match them to the parts list provided. Verify that you have all your parts before attempting to assemble the mount.

Step 2

Take the lower holders (5) and insert them into the top holders (4). Then using the long 5/16" screw (8) attach the two together by inserting the screw through the top holder (4) and threading the screw into the lower holder (5) leaving about 2" of screw showing so you can insert your TV later. Repeat this for the other side.

Step 3

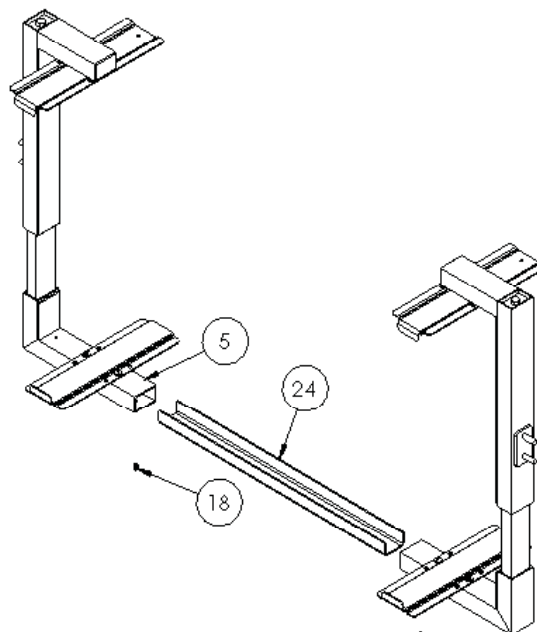
Attach the hold plates (6) to the top (4) and lower (5) holders using the 1/4" - 20 screws (11).

Step 4

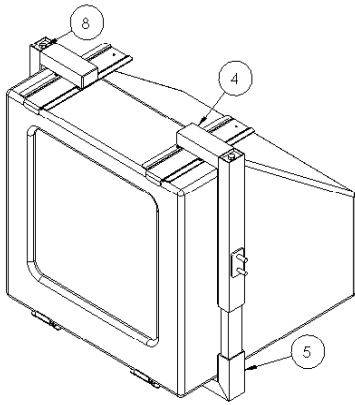
Apply the longest anti skid strips (15) to the inside of the top holder (4). Apply the shortest anti skid strips (16) to the inside of the lower holder (5). Apply the middle length strips (17) to the hold plates (6). Insert the end plugs (14) into the ends of the top holders (4).

Step 5

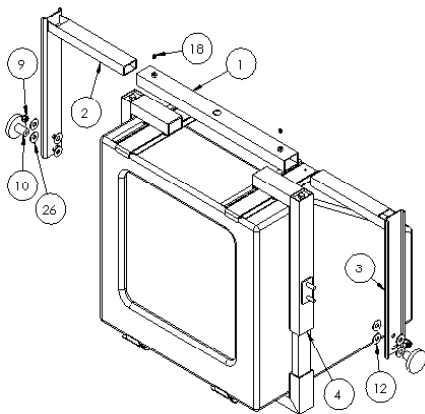
Slide the lower force arm (24) into the lower holders (5) and center the arm between the holders. Screw 1/4" - 20 brake screws (18) into the welded nuts on the bottom of the lower holders (5), but do not tighten them yet.



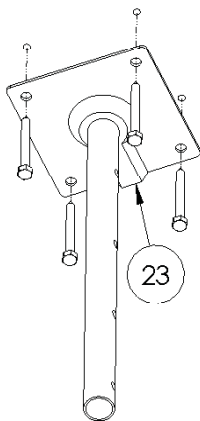
Step 5: Inserting the lower force arm



Step 6: Inserting the TV
(TV not included)



Step 7: Attaching the extension
bars and top force arm



Step 8: Mounting the ceiling bracket
(Lag Screws are not included)



Step 6

Insert your TV between the top (4) and lower (5) holders. Clamp the holders so they are tight against your TV left to right and then tighten the 1/4" - 20 brake screws (18) you inserted in step 5. Clamp the holders so they are tight against your TV top to bottom and then tighten the 5/16" screw (8) used in step 2.

Step 7

Insert the left (2) and right (3) extension bars into the top force arm (1). Next place nylon washers (12) on the welded screws on the top holders (4). Now slide the left (2) and right (3) extension bars onto the welded screws. **Note: The majority of each slot arc on the extension bars should be pointing towards the back of the TV.** Place washers (26) and 3/8" nylon nuts (9) on the top welded screw on each top holder (4) and tighten. Place washers (26) and adjusting nuts (10) on the bottom welded screw on each top holder (4) and tighten. Center the top force arm (1) and use 1/4" - 20 brake screws (18) to secure the left (2) and right (3) extension bars.

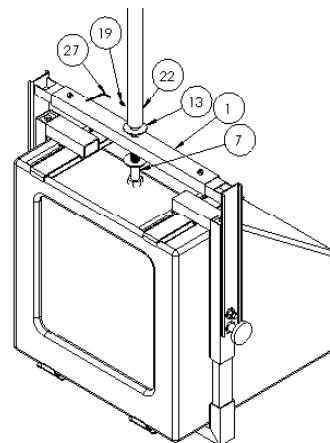
Attaching the VMP014/024 to the ceiling:

Step 8

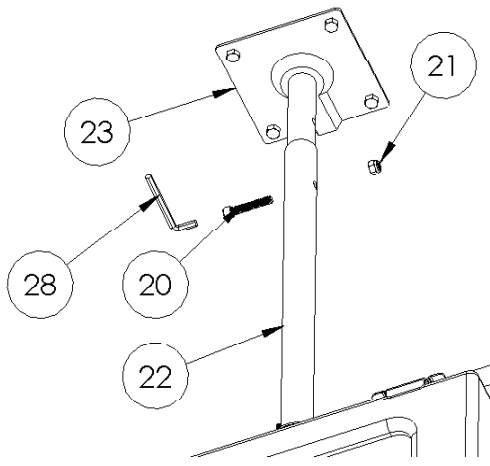
Mark the ceiling or desired mounting surface in preparation of installation of ceiling mounting bracket (23). Pre-drill if necessary and mount the ceiling mounting bracket (23) to the desired surface. **Warning: Please verify that your mounting surface will support the combined weight of your mount, mounting hardware, and monitor. Also verify that the mounting surface is safe to drill through. If in doubt, please contact a professional installer.**

Step 9

Attach the extension support (22) to the top force arm (1) using washers (13) and the 3/4" bolt (7). Then use the longer 1/4" - 20 brake screw (19) to prevent the 3/4" bolt (7) from turning. Tighten the brake screw firmly.



Step 9: Attaching the extension support



Step 10: Attaching the extension support to the ceiling plate

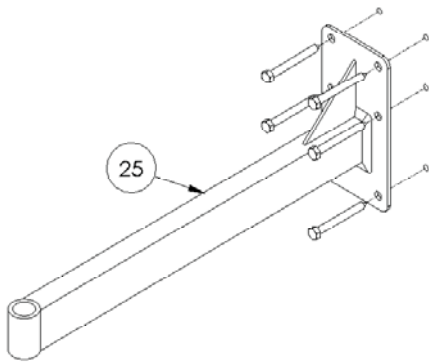
Step 10

Attach the extension support (22) to the ceiling mounting bracket (23). Insert the socket head 5/16" screw (20) and attach the nylon nut (21) to bolt through the extension support (22) and ceiling mounting bracket (23). Proceed to step 13.

Attaching the VMP014/024 to the wall:

Step 11

Mark the wall or desired mounting surface in preparation of installation of wall bracket (25). Pre-drill if necessary and mount the wall bracket (25) to desired surface. **Warning: Please verify that your mounting surface will support the combined weight of your mount, mounting hardware, and monitor. Also verify that the mounting surface is safe to drill through. If in doubt, please contact a professional installer.**

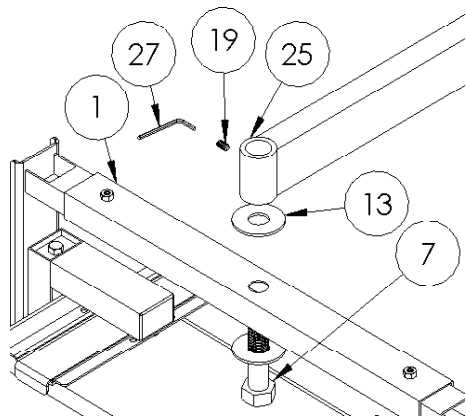


Step 11: Mounting the wall bracket

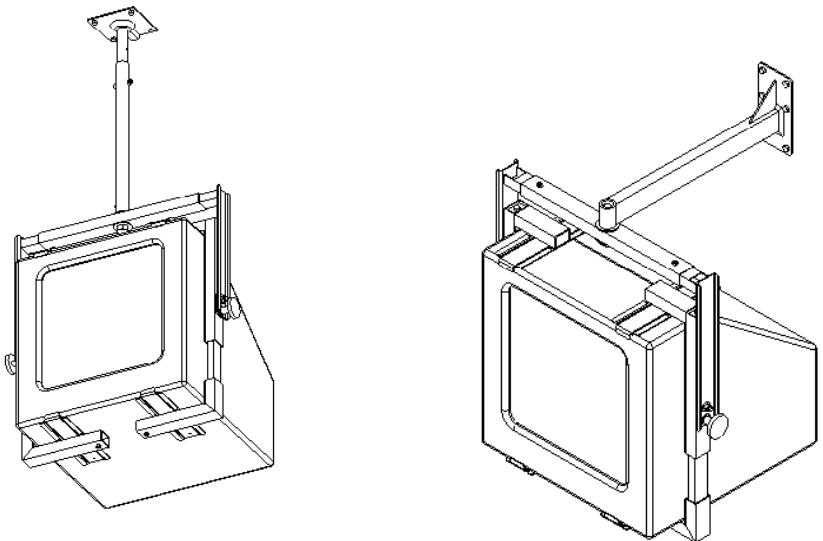
Step 12

Attach the wall bracket (25) to the top force arm (1) using washers (13) and the 3/4" bolt (7). Then use the longer 1/4" - 20 brake screw (19) to prevent the 3/4" bolt (7) from turning.

Please verify that all nuts and screws are securely tightened.



Step 12: Attaching the top force arm to the wall bracket



Enjoy Your Mount!



WARNING: The installer of these products must verify that the mounting surface, ceiling or wall, will safely support the combined weight of all attached equipment and hardware. Video Mount Products will not be held liable for the improper use or installation of its products.