

LCD-FT

*universal LCD monitor flush mount
with tilt*

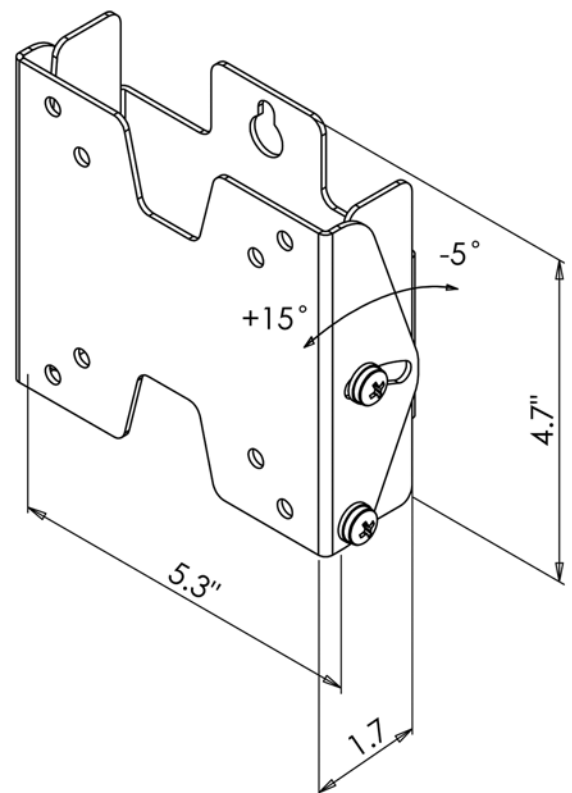
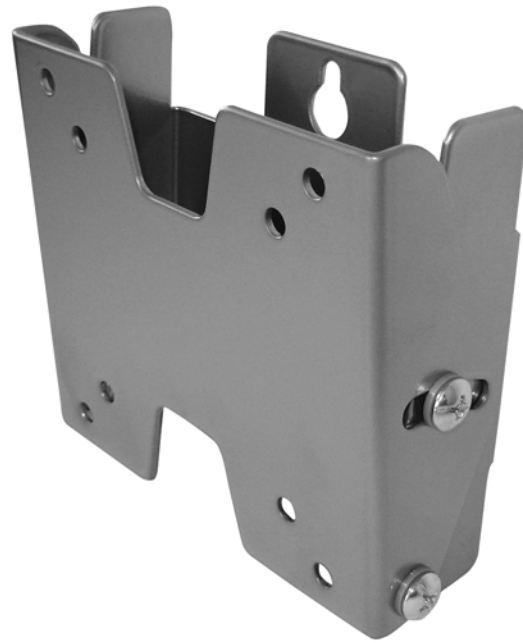
Product Features:

- holds most 10" – 23" LCD monitors
- accommodates monitors with 75 or 100mm VESA standards
- adjustable Tilt -5 to +15°
- distance from wall to back of monitor – 1.7"
- easy "key-hole" wall mount system
- load capacity – 25 lbs.
- silver powder coat finish
- also available with a black finish (LCD-FTB)

Product Specifications:

(for Architects & Engineers)

The wall flush with tilt mount for the LCD display shall be the Video Mount Products (VMP) model LCD-FT. The mount shall be designed to attach to a single stud or other suitable support surface. The mount shall be primarily constructed of formed steel. The mount shall be a universal style mount capable of mounting to all 10" - 23" monitors that incorporate VESA 75 or 100 standard hole patterns and not necessarily be model specific. The mount shall have a range of tilt from +15 degrees of tilt to -5 degrees. The load capacity shall be 25 lbs.



Video Mount Products

325 Log Canoe Circle
Stevensville, MD 21666
Phone: 410.643.6390
Fax: 410.643.6615
www.videomount.com

VMP
VIDEO MOUNT PRODUCTS