

# LCD-MID-F

*universal mid-size flat panel monitor  
flush mount*

## Product Features:

holds most 27" - 42" LCD monitors

mounting rails adjust to accommodate monitors  
with mounting holes up to VESA 400 x 200

distance from wall to back of monitor - 1"

load capacity - 100 lbs.

silver powder coat finish

## Product Specifications:

*(for Architects & Engineers)*

The wall flush mount for the mid-size flat panel display shall be the Video Mount Products (VMP) model LCD-MID-F. The mount shall be designed to attach to 2 studs up to 16" apart or other suitable support surface. The mount shall be primarily constructed of formed steel and shall include spot welds. The mount shall be a universal style mount capable of adjusting to the dimensions of a variety of popular 27" to 42" LCD displays and not necessarily be model specific. The adjustable mounting brackets shall open from 2.5" to 16" left to right. The load capacity shall be 100 lbs.

## Video Mount Products

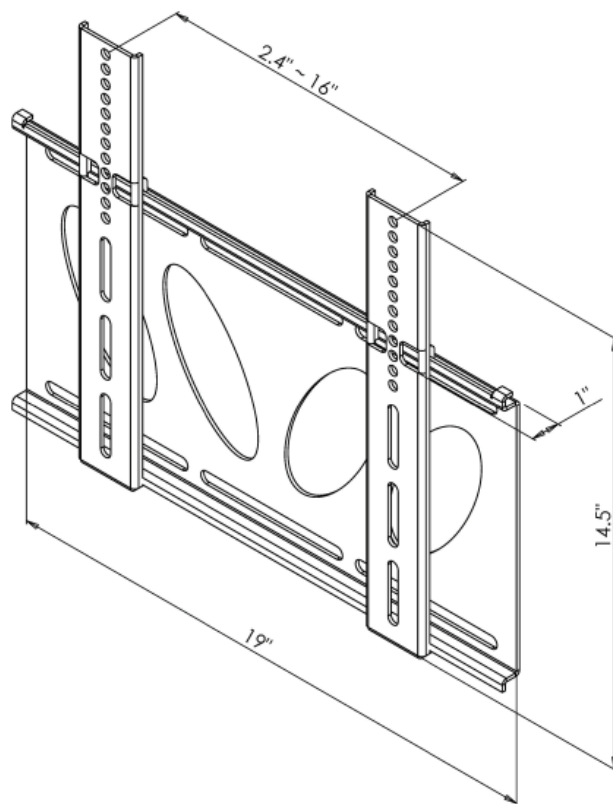
325 Log Canoe Circle

Stevensville, MD 21666

Phone: 410.643.6390

Fax: 410.643.6615

[www.videomount.com](http://www.videomount.com)



**VMP**  
VIDEO MOUNT PRODUCTS