

LCD-UC1

universal LCD under cabinet mount

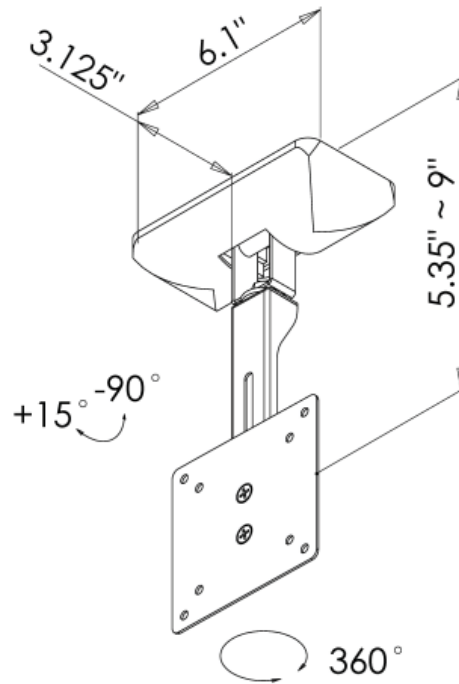
Product Features:

- holds most 10" - 17" LCD TVs
- accommodates monitors with 75 or 100mm VESA standards
- can be flipped up to store LCD when not in use
- 360° swivel for optimum viewing
- load capacity - 20 lbs.
- silver powder coat finish

Product Specifications: *(for Architects & Engineers)*

The under cabinet mount for the LCD display shall be the Video Mount Products (VMP) model LCD-UC1. The mount shall be a universal style capable of mounting to all 10" to 17" LCD monitors that incorporate 75mm and 100mm standard mounting hole patterns and not be model specific. The mount shall be constructed primarily of aluminum and formed steel and shall incorporate arc welds. The mount shall be able to go from +15° to flat against the surface of the cabinet. The mount shall have 360° of swivel and shall be height adjustable. The load capacity shall be 20 lbs.

Video Mount Products
325 Log Canoe Circle
Stevensville, MD 21666
Phone: 410.643.6390
Fax: 410.643.6615
www.videomount.com



VMP
VIDEO MOUNT PRODUCTS