

PDM-W

*universal large flat panel articulating
wall mount*

Product Features:

holds most 37" to 63" flat panel displays

mounting rails adjust from 8" to 39"
(left to right)

mounting rail length - 18.5"

rotates 45° and has adjustable -5° to +20° tilt

depth 4" (arms fully collapsed)

depth 24" (arms fully extended)

load capacity - 180 lbs

silver powder coat finish

also available in a black scratch resistant
finish (PDM-WB)

Product Specifications:

(for Architects & Engineers)

The articulating wall mount for the large flat panel display shall be the Video Mount Products (VMP) model PDM-W. The mount shall be designed to attach to 2 studs on centers up to 30" apart or other suitable support surface.

The mount shall be constructed primarily of formed steel and shall incorporate arc welds.

The mount shall be a universal style mount capable of adjusting to the dimensions of a variety of popular 42" to 63" plasma displays and not necessarily be model specific. The mount must allow for tilt from -5° to 20°.

The adjustable mount plates shall open from 8" to 39". The load capacity shall be 180 lbs.

Video Mount Products

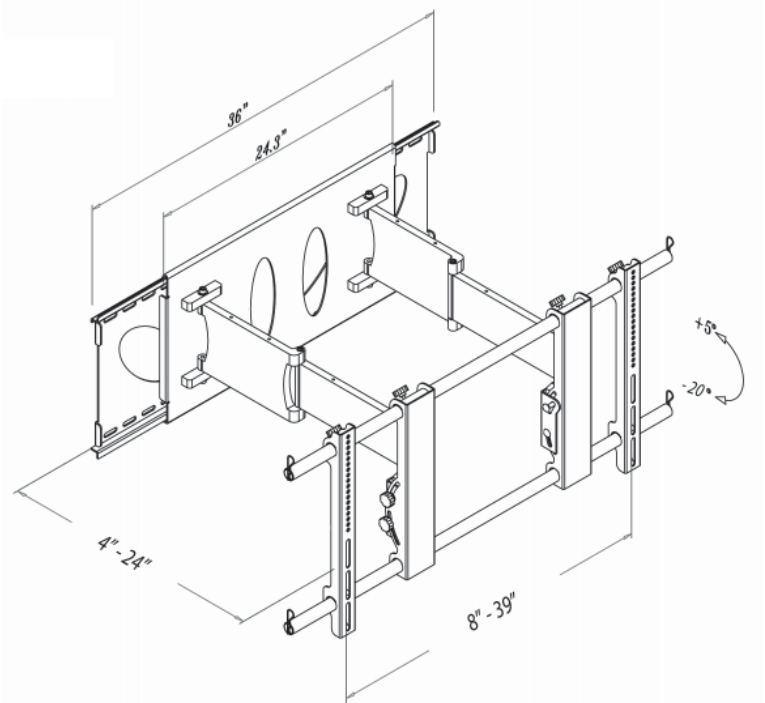
325 Log Canoe Circle

Stevensville, MD 21666

Phone: 410.643.6390

Fax: 410.643.6615

www.videomount.com



VMP
VIDEO MOUNT PRODUCTS