

PM-1

universal clamping large projector mount

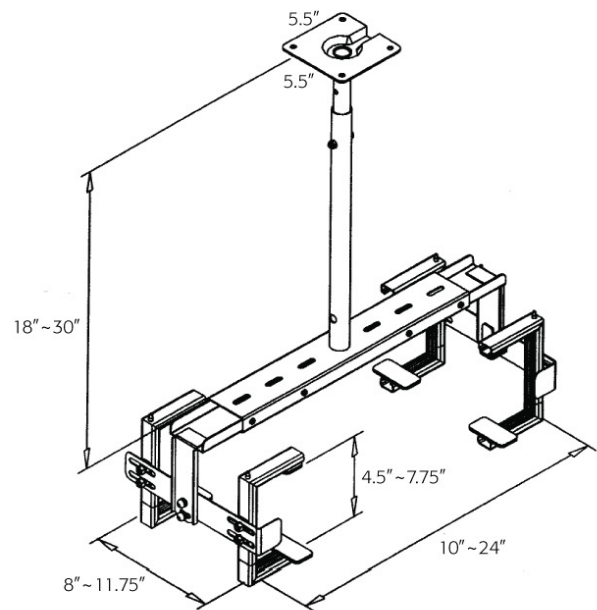
Product Features:

- rotates 360°
- adjustable 0° to 10° tilt
- opens from 10" to 24" (left to right)
- opens from 4.5" to 7.75" (top to bottom)
- 8 point clamping mechanism adjusts from 8" to 11.75" (front to back)
- mast telescopes 18" to 30" from ceiling
- integrated flush mount plate included
- load capacity - 75 lbs
- black powder coat finish

Product Specifications: *(for Architects & Engineers)*

The universal ceiling mount for LCD projectors shall be a Video Mount Products (VMP) model PM-1. The mount shall be constructed primarily of formed steel and shall incorporate arc welds. The mount shall have adjustable tilt up to a maximum of 10°, open from 10" to 24" (left to right) and 4.5" to 7.75" (top to bottom). The mount shall have an integrated clamping mechanism that will secure the projector on all sides. The mount shall include a telescoping ceiling mast adjustable from 18" to 30". The projector mount shall also have the ability to be flush mounted to the ceiling on 12" and 16" centers. The load capacity shall be 75 lbs.

Video Mount Products
325 Log Canoe Circle
Stevensville, MD 21666
Phone: 410.643.6390
Fax: 410.643.6615
www.videomount.com



VMP
VIDEO MOUNT PRODUCTS

