

VIDEO MOUNT PRODUCTS NEW PRODUCT

The ERWEN Series of wall cabinets is VMP's line of professional equipment wall enclosures. Space saving and full featured, the units come fully assembled and welded to streamline on-site installation. Each unit comes standard with a tempered glass front door, but you can customize yours with our additional door options.



ERWEN-12E750

19" Equipment Hinged Wall Rack Enclosure - 12U - 750mm Deep

- Welded steel construction
- Ships fully assembled
- Overall Dimensions - 25.3"H x 24.3"W x 29.625"D
- Usable Depth - 24"
- Works with all standard 19" rack equipment and accessories
- Rails have numbered spaces with standard 10-32 threading
- Adjustable front and rear rails
- Vented top and bottom
- Top and bottom cable routing knockouts
- Reversible hinged tempered glass front door
- Removable hinged back panel
- Removable locking side panels
- Stabilizing hasp
- Load capacity - 120 lbs / Black powder coat finish



Accessories

[A] Solid Steel Door - ERWENSD

[B] Perforated Vented Steel Door - ERWENPD

[C] 2 Fan Kit - ERWEN2FANKIT

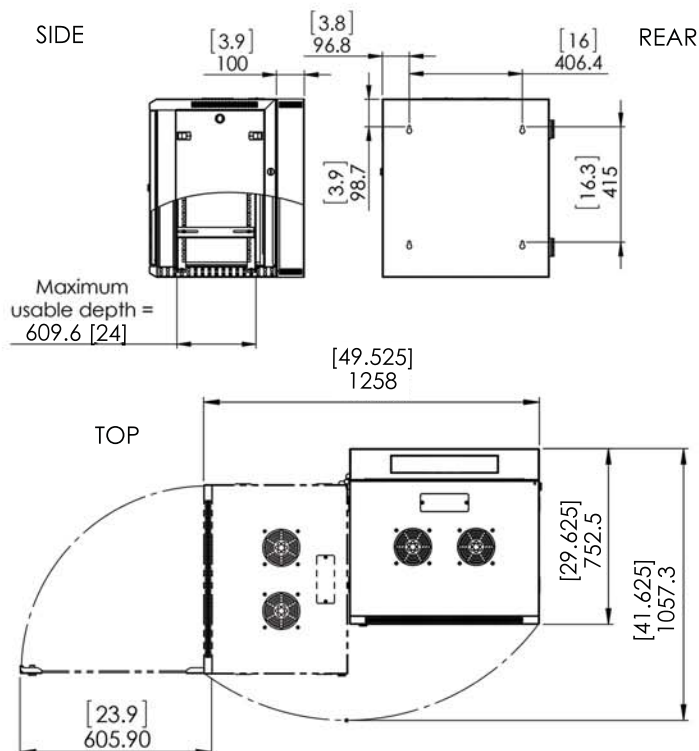
[A]



[B]



[C]



Units: mm [inch]

Information and designs contained in this drawing are the proprietary property of Video Mount Products (VMP). None of the design or any information contained in this drawing may be reproduced or disclosed to others without prior written consent of Video Mount Products (VMP).

