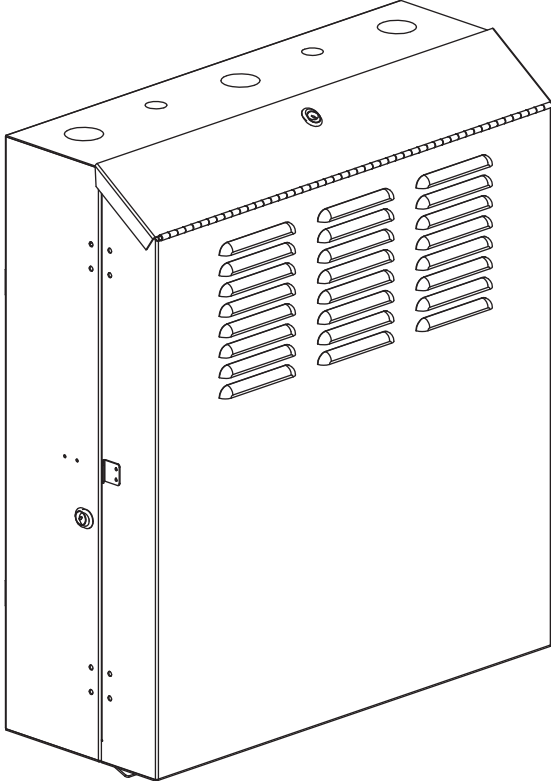
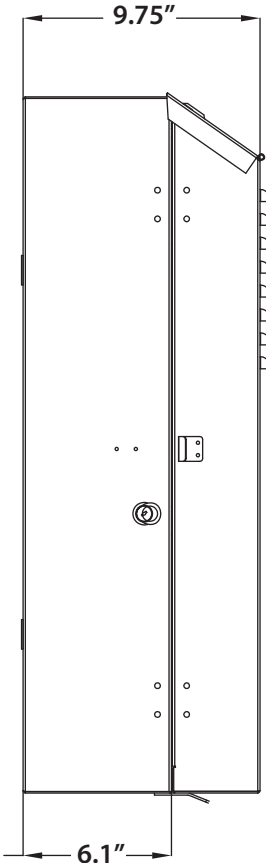


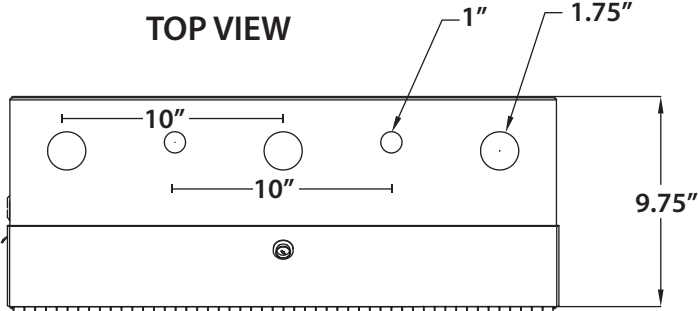
# ERVWC-5U20



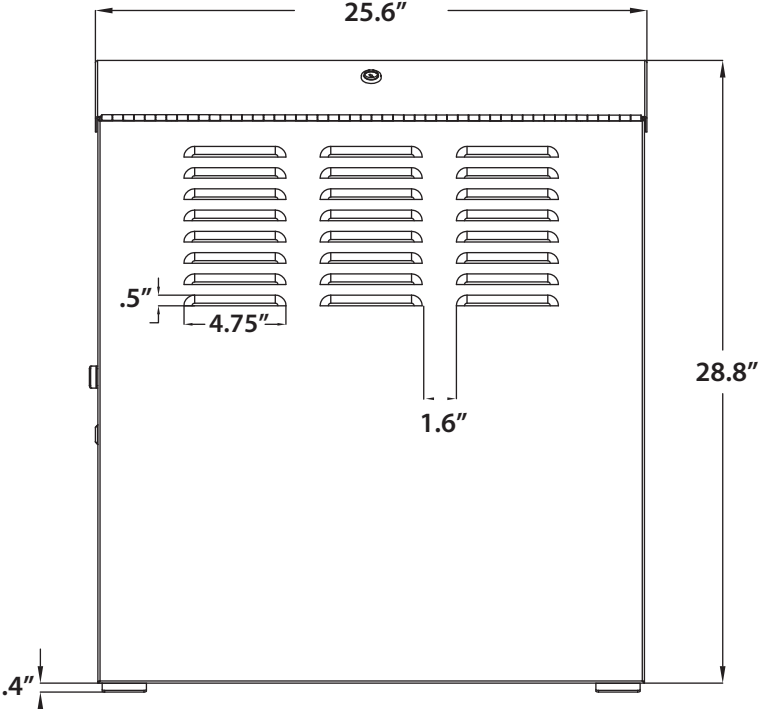
SIDE VIEW



TOP VIEW

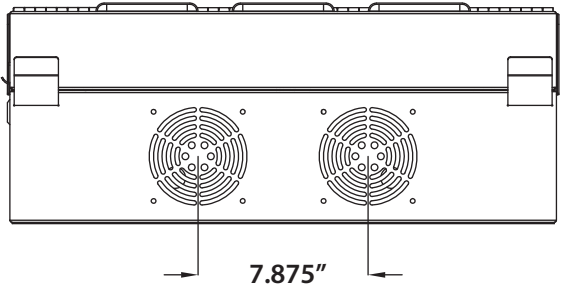


FRONT VIEW



FRONT VIEW

BOTTOM VIEW



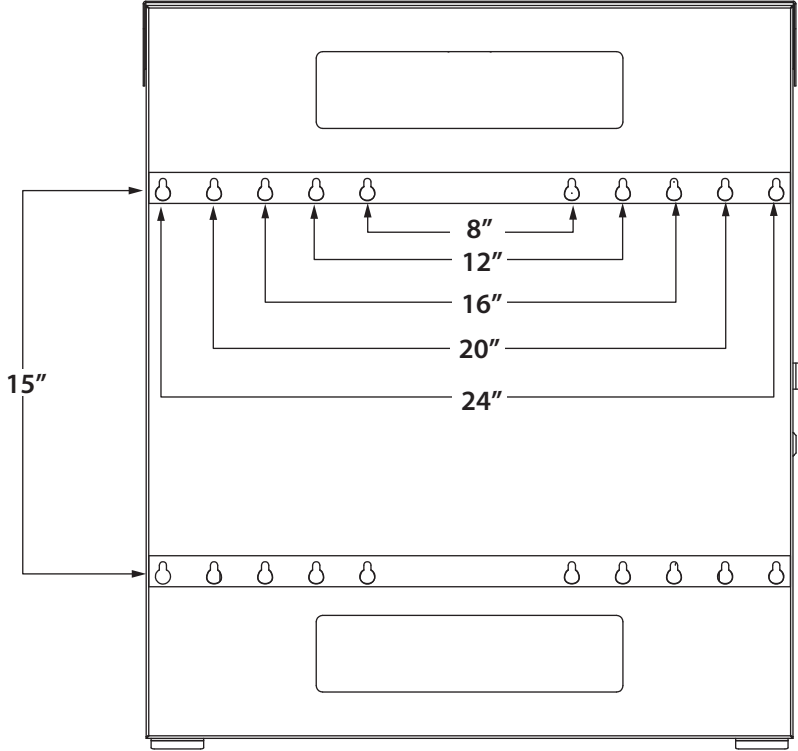
BOTTOM VIEW



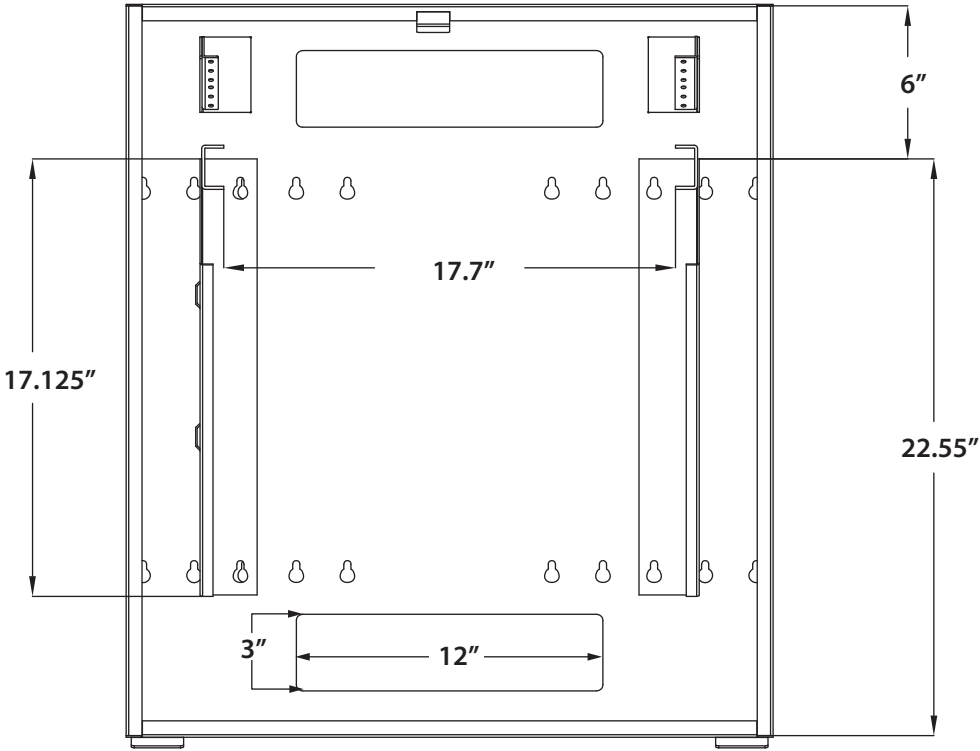
INFORMATION AND DESIGNS CONTAINED IN THIS DRAWING ARE THE PROPRIETARY PROPERTY OF VIDEO MOUNT PRODUCTS (VMP). NONE OF THE DESIGN OR ANY INFORMATION CONTAINED IN THIS DRAWING MAY BE REPRODUCED OR DISCLOSED TO OTHERS WITHOUT PRIOR WRITTEN CONSENT OF VIDEO MOUNT PRODUCTS (VMP).

# ERVWC-5U20

BACK VIEW



INSIDE VIEW



INFORMATION AND DESIGNS CONTAINED IN THIS DRAWING ARE THE PROPRIETARY PROPERTY OF VIDEO MOUNT PRODUCTS (VMP). NONE OF THE DESIGN OR ANY INFORMATION CONTAINED IN THIS DRAWING MAY BE REPRODUCED OR DISCLOSED TO OTHERS WITHOUT PRIOR WRITTEN CONSENT OF VIDEO MOUNT PRODUCTS (VMP).