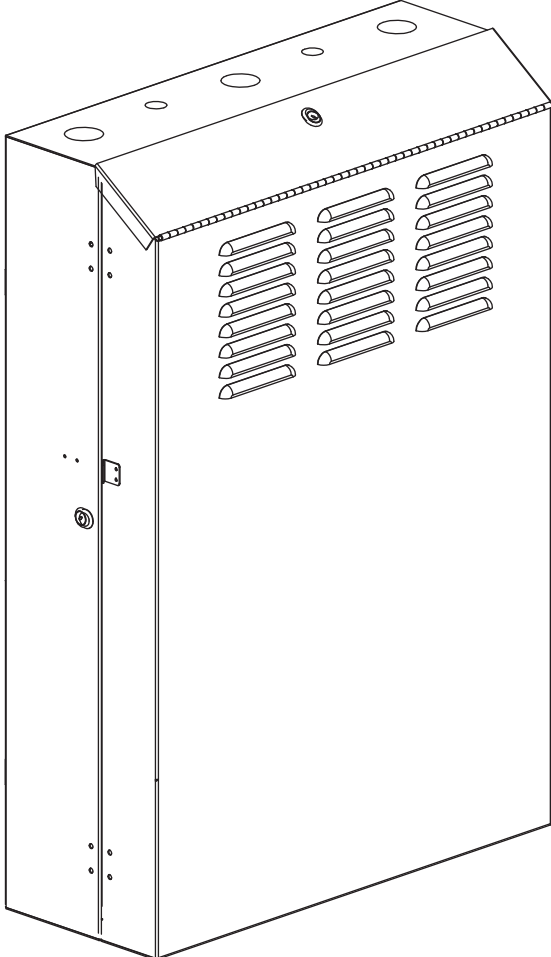
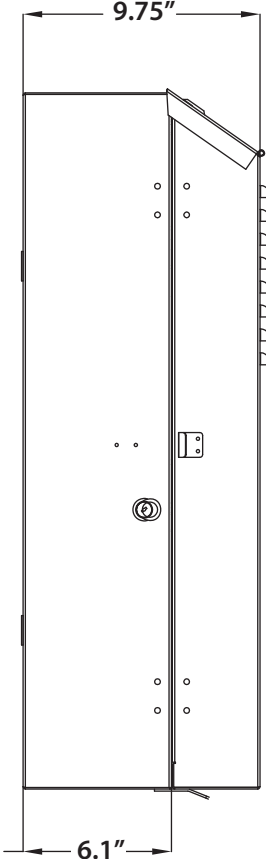


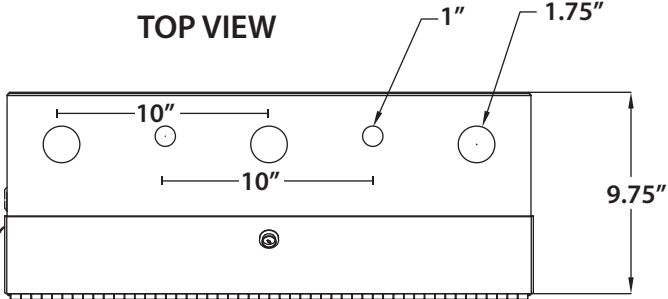
ERVWC-5U36



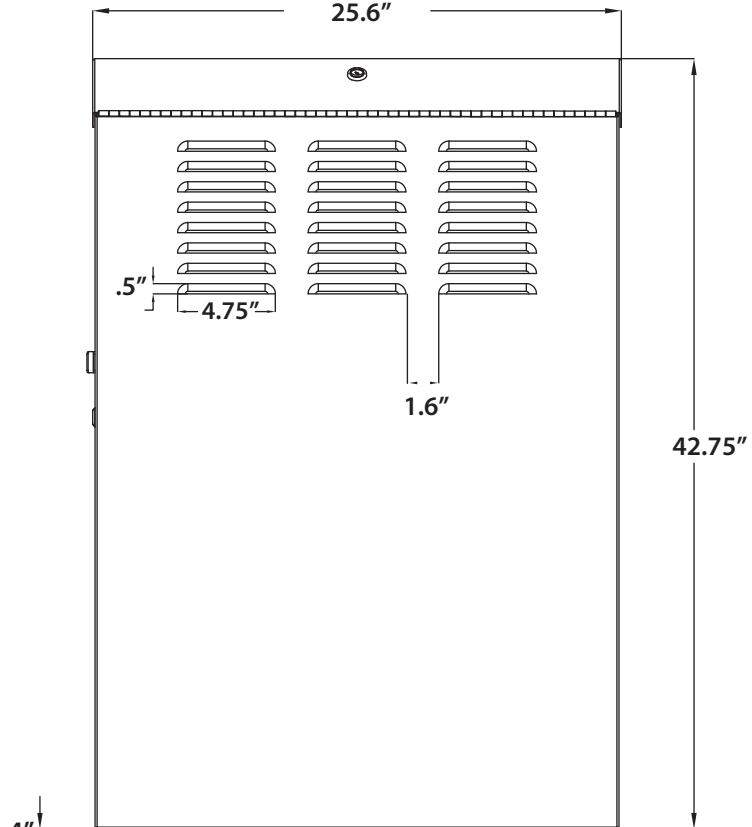
SIDE VIEW



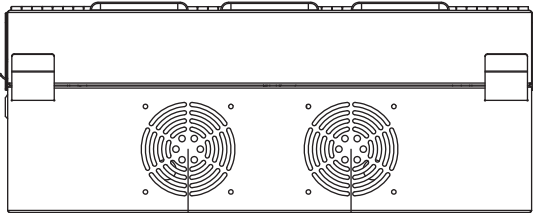
TOP VIEW



FRONT VIEW



FRONT VIEW



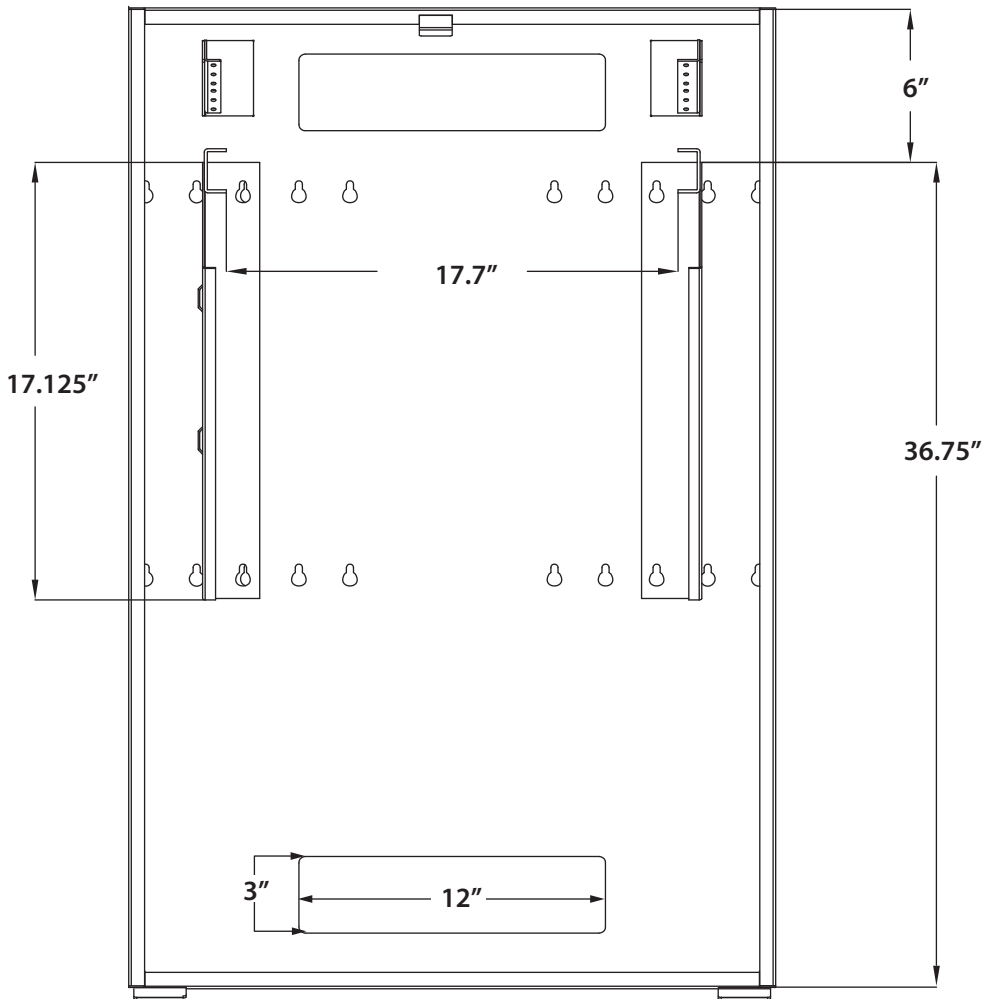
BOTTOM VIEW



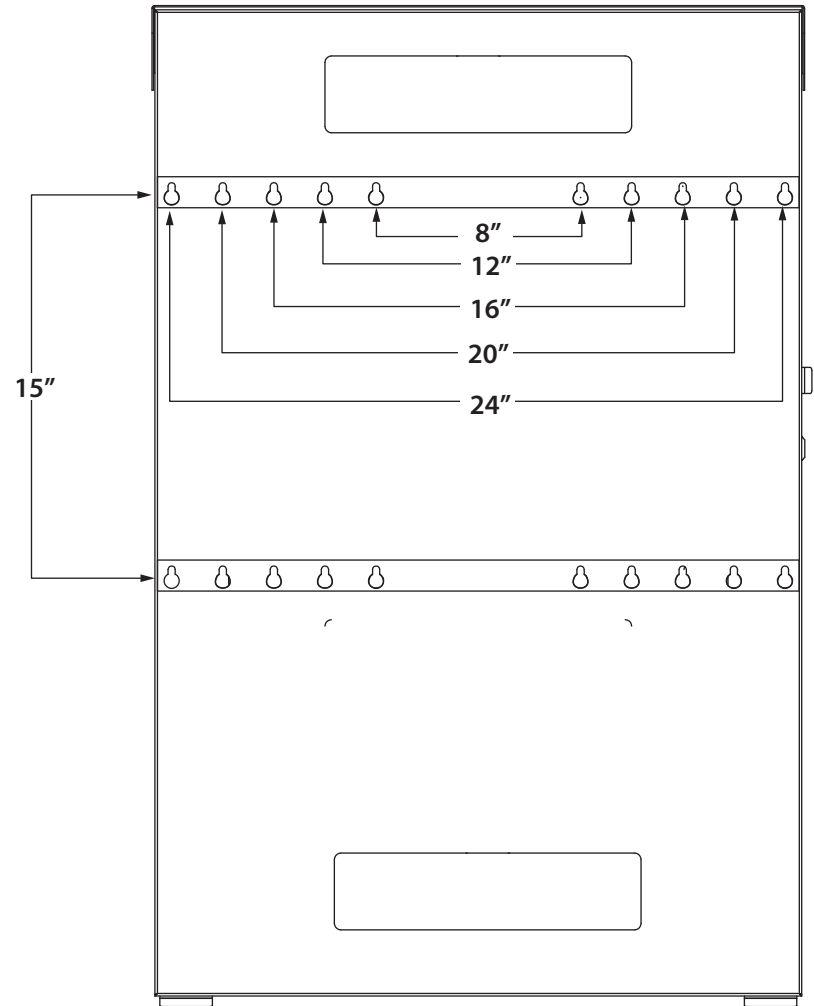
INFORMATION AND DESIGNS CONTAINED IN THIS DRAWING ARE THE PROPRIETARY PROPERTY OF VIDEO MOUNT PRODUCTS (VMP). NONE OF THE DESIGN OR ANY INFORMATION CONTAINED IN THIS DRAWING MAY BE REPRODUCED OR DISCLOSED TO OTHERS WITHOUT PRIOR WRITTEN CONSENT OF VIDEO MOUNT PRODUCTS (VMP).

ERVWC-5U36

INSIDE VIEW



BACK VIEW



INFORMATION AND DESIGNS CONTAINED IN THIS DRAWING ARE THE PROPRIETARY PROPERTY OF VIDEO MOUNT PRODUCTS (VMP). NONE OF THE DESIGN OR ANY INFORMATION CONTAINED IN THIS DRAWING MAY BE REPRODUCED OR DISCLOSED TO OTHERS WITHOUT PRIOR WRITTEN CONSENT OF VIDEO MOUNT PRODUCTS (VMP).