

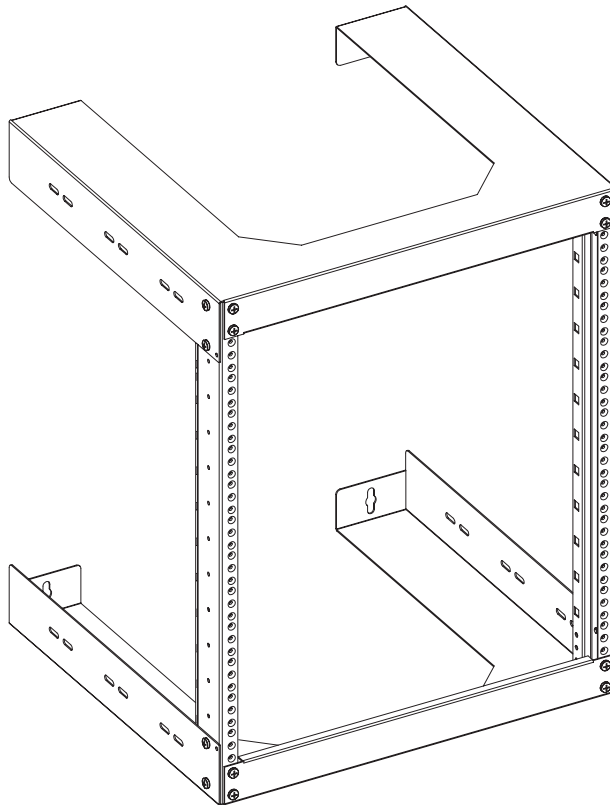
WMP

VIDEO MOUNT PRODUCTS

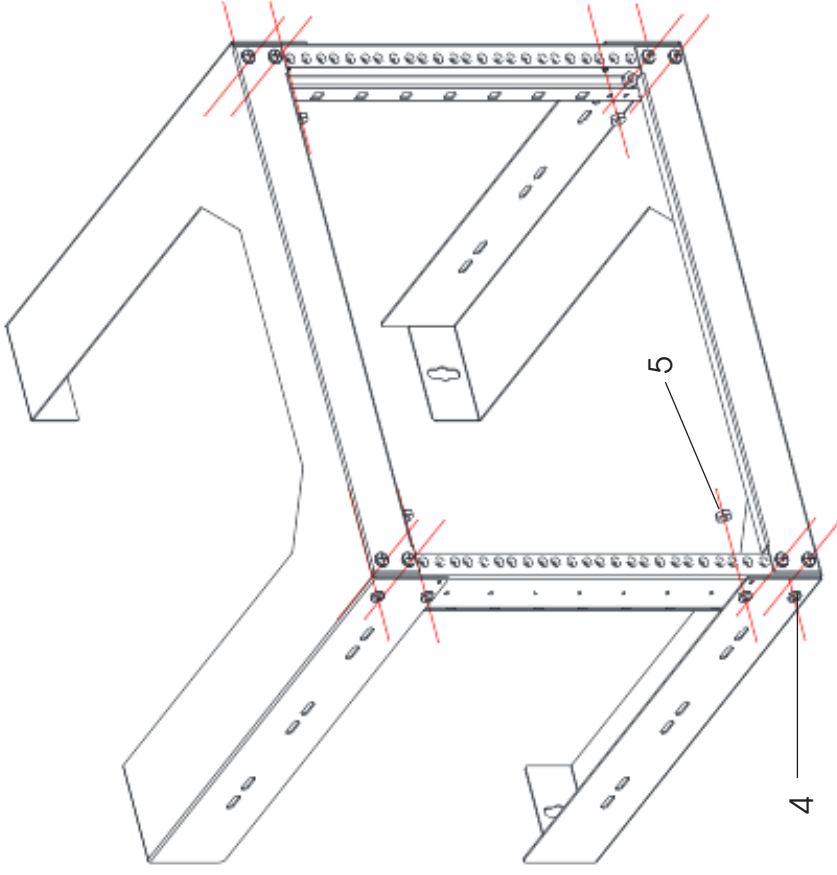
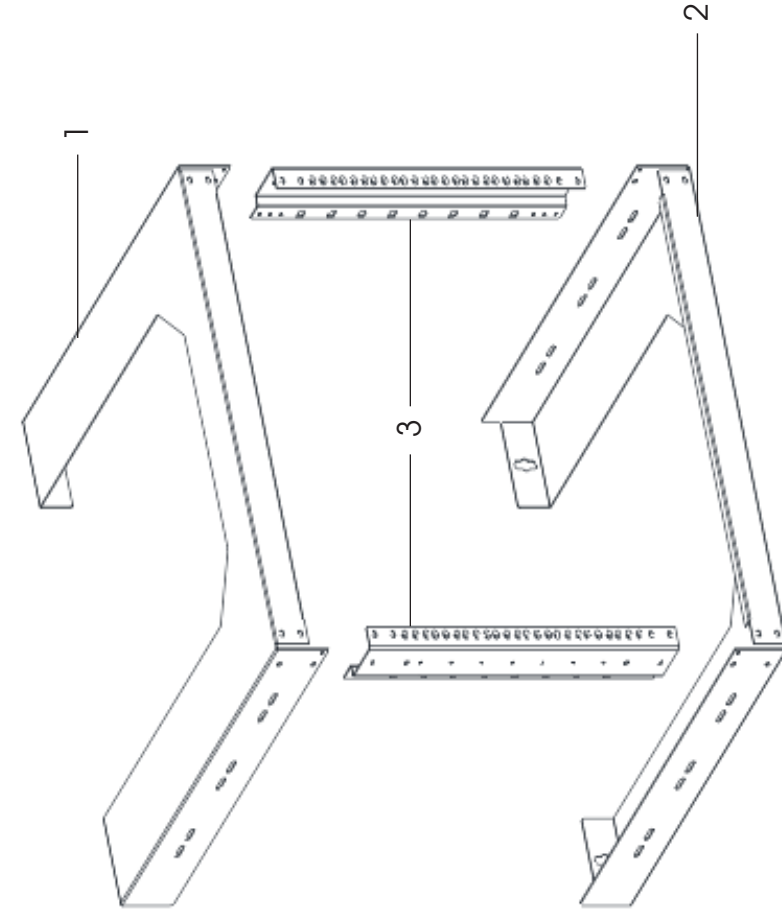
Instruction Sheet For:

ER-WR Series

19" Open Frame Wall Racks



For more information, please contact us at:
345 Log Canoe Circle, Stevensville, Maryland 21666
Toll Free: 877.281.2169 Phone: 410.643.6390 Fax: 410.643.6615
www.videomount.com
tech@videomount.com



**** ER-WR Series ****

Part No.	Part Name	Quantity
1	Top Frame	1
2	Bottom Frame	1
3	Rack Rails	2
4	M6 * L12 Screws	16
5	M6 Flange Nuts	16
6	Lag Screw - 1/4" * 2.75"	4

