

# **WMP**

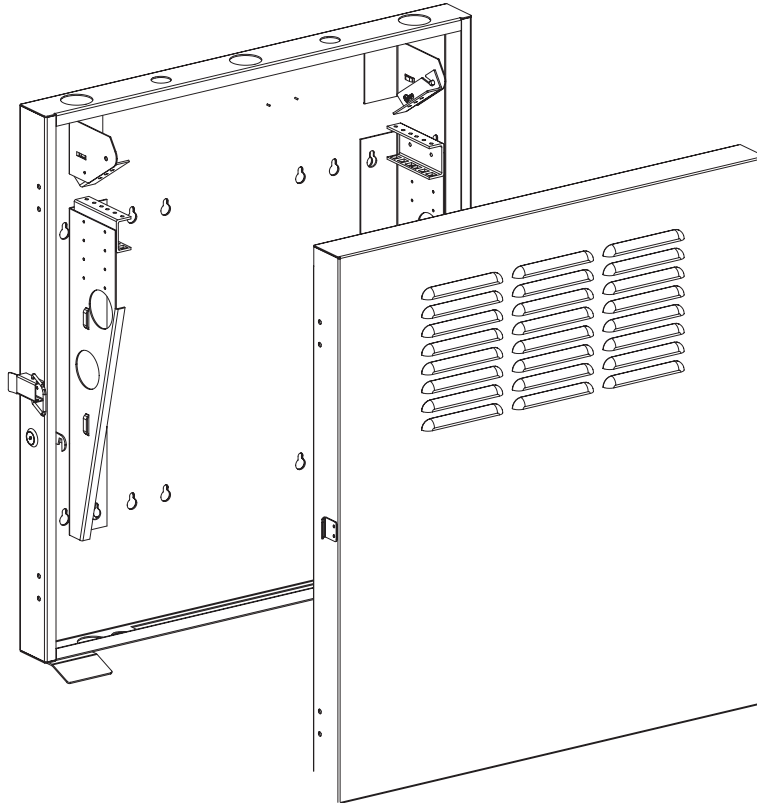
**VIDEO MOUNT PRODUCTS**

*Instruction Sheet For:*

## **ERVWC-2U20 / ERVWC-2U36**

---

2U Vertical Wall Mount Rack Instruction Manual

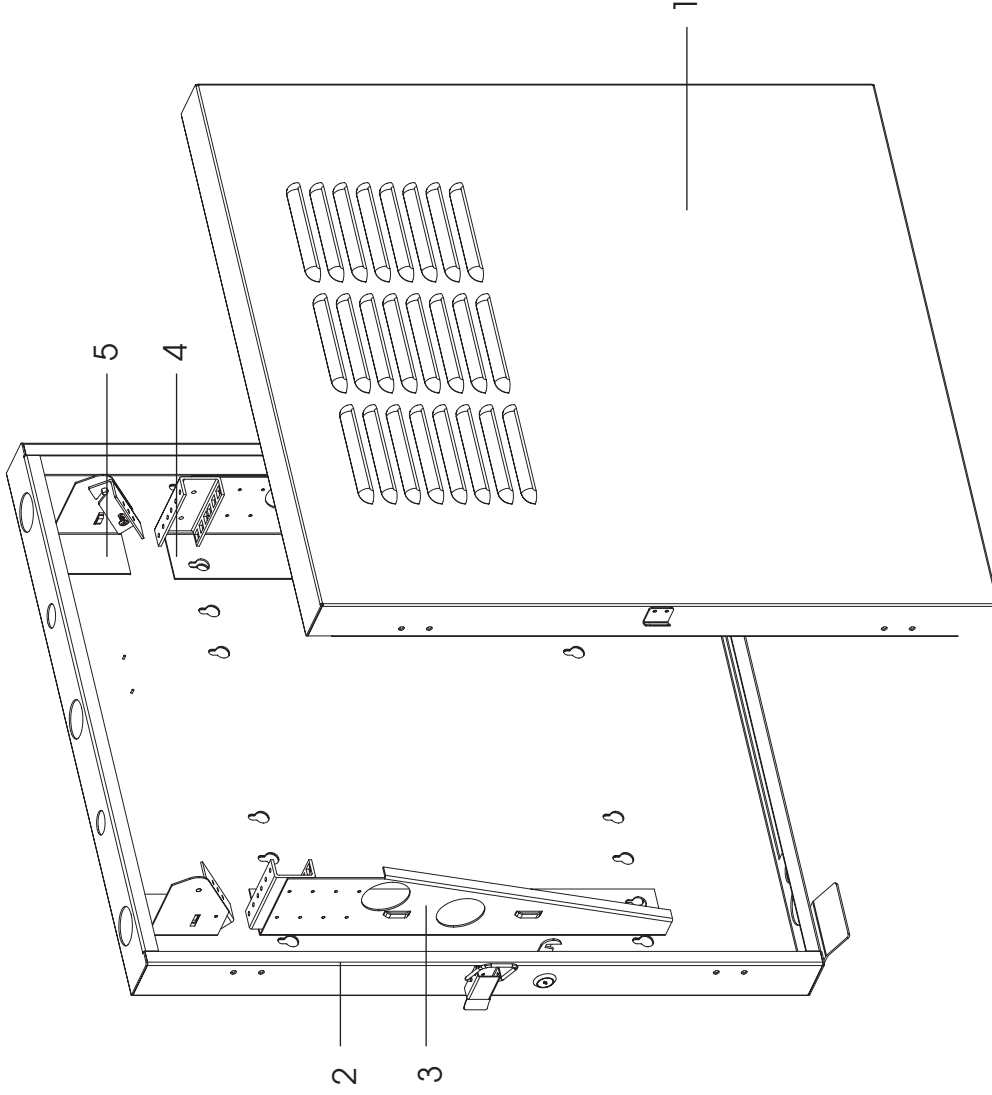
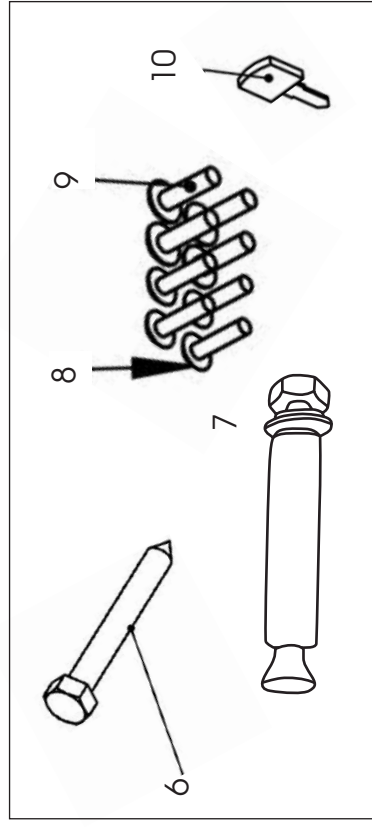


---

*For more information, please contact us at:*  
345 Log Canoe Circle, Stevensville, Maryland 21666  
Toll Free: 877.281.2169 Phone: 410.643.6390 Fax: 410.643.6615  
**www.videomount.com**  
**tech@videomount.com**

# \*\* ERVWC-5U20/ERVWC-5U36 \*\*

Part No.	Part Name	Quantity
1	Front Door	1
2	Rear Cabinet Panel	1
3	Vertical Mounting Bracket	2
4	Vertical Mounting Rails	2
5	Patch Panel Mounting Bracket	2
6	Lag Screw - 6M x L70mm	4
7	Wall Anchor	4
8	M6 * 1/2" Screw	12
9	12-24 * 5/8" Rack Screw	12
10	Cabinet Keys	2



## SPECIFICATIONS

Model No.	Dimensions (HxWxD)	Unit Weight	Load Capacity	Mounting Depth (Adjustable)
ERVWC-2U20	28.7" x 25.3" x 4.5"	35 lbs	150 lbs	17" to 20"
ERVWC-2U36	42.6" x 25.3" x 4.5"	45 lbs	150 lbs	33" to 36"

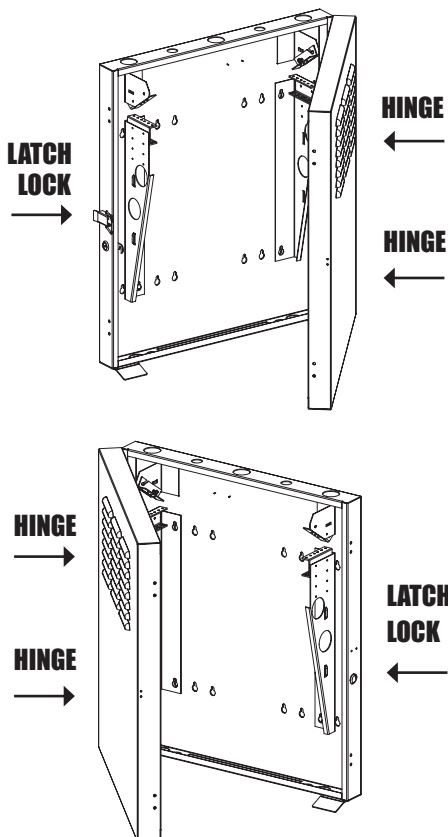


## Safety First

- These enclosures are heavy and you should always have at least 2 people involved with moving, unpacking and mounting them.
- **Please verify that your mounting surface will safely support the combined weight of the enclosure, mounting hardware and equipment installed in the cabinet. Confirm that the mounting surface is safe to drill through. Please note that only mounting hardware for mounting to wooden studs is provided with the unit. If mounting to a surface other than wooden studs, then other hardware will be required. This product should be installed by professionals or professionally installed. \*Video Mount Products will not be held liable for the improper use or installation of their products.\***
- You are working with equipment that requires proper ventilation. Do not block or cover external ventilation openings or, if you are using fans, the fan intake area at the bottom of the enclosure.
- Keep the enclosure and the related equipment in a clean dry area for best results.

## Get Familiar

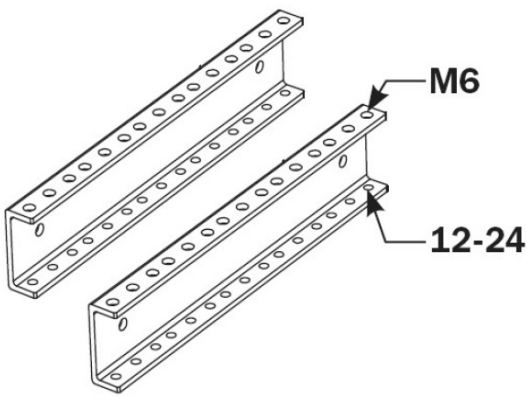
- Take a few minutes to familiarize yourself with your enclosure as you unpack it, and also spend some time planning for your mounting location, as well as how you are going to populate your equipment into the enclosure. While the enclosure ships fully assembled, you still have the option of reversing the door and adjusting the vertical mounting brackets. Consider making whatever adjustments to the door and the vertical rails that you need to, before installing the enclosure on the wall.



## Section 1 - Reversing the Front Door

You will encounter a wide variety of installation applications and it may be necessary from time to time to have to reverse the swing direction of the door. The front door can be reversed by switching the configuration of the hinges, latch and lock from one side to the other. Simply remove the hinges, latch and lock from one side and move all of the pieces to the corresponding holes on the opposite side. You will have the 2 hinges on one side (1 – Top and 1 – Bottom) and the latch and lock on the other side.

*Note: You will find that the unused screw holes are filled with a small rubber fill plug. These plugs are easily removed. Please retain them and replace them into the unused holes on the opposite side.*

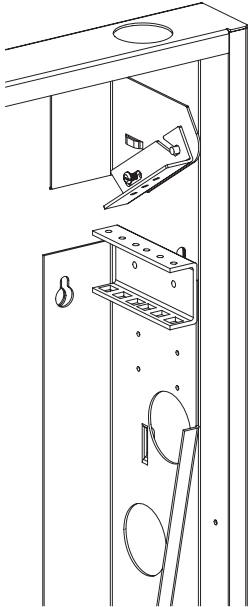


## **Section 2 - Vertical Mounting Rails**

Your enclosure provides 2 threading options based upon your preference and the equipment you are using. One side of the rail is threaded for M6 hardware and the other side is threaded for 12-24. The rails are visibly labeled with both options. Position the rails with the desired thread pattern on top. To install your equipment, use the included M6 or 12-24 hardware, or the hardware provided with your equipment to secure equipment to the rails.

## **Section 3 - Adjusting the Mounting Rail Depth**

*Note: Do not use the mounting rails without both screws installed and attached to the vertical mounting bracket. Do not adjust the rails while equipment is installed in the enclosure.*



The two horizontal mounting rails are factory-installed with a mounting depth of 20" for ERVWC-2U20 and 36" for ERVWC-2U36. The rails can be adjusted in 1-inch increments for mounting depths between 17-20 inches for ER-VWC2U20 and 33-36 inches for ER-VWC2U36. It is not necessary to adjust the mounting rails unless your equipment requires a different mounting depth.

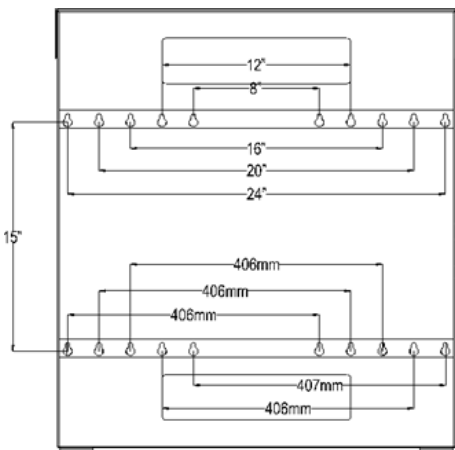
To adjust the height of the rails, simply remove the 2 screws, position the rails vertically to the desired depth and reattach using the 2 screws. Make sure to adjust both rails equally.

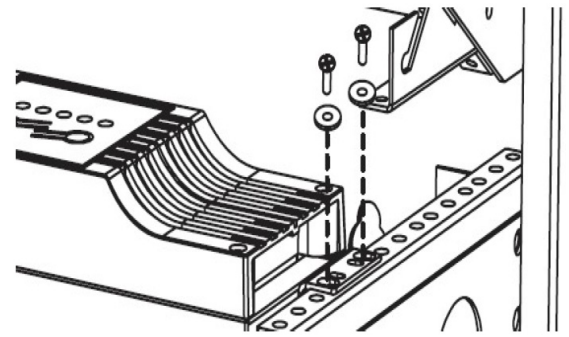
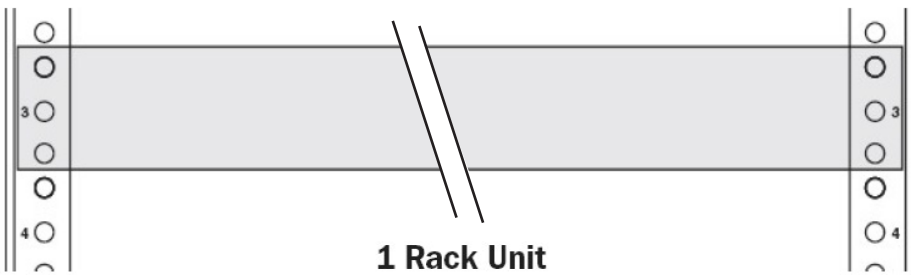
## **Section 4 - Mounting your Enclosure**

The alignment of the keyhole cutouts in the back of the cabinet provides multiple mounting options for your convenience. There are 4 sets of 5 keyholes, which allows for 5 mounting options on 16" center. Each set of keyholes are spaced in 2" intervals.

For optimal results, use a level and measure to position your mounting areas precisely. Always use appropriate mounting hardware to secure the enclosure to the wall.

**Please verify that your mounting surface will safely support the combined weight of the enclosure, mounting hardware and equipment installed in the cabinet. Confirm that the mounting surface is safe to drill through. Please note that only mounting hardware for mounting to wooden studs is provided with the unit. If mounting to a surface other than wooden studs, then other hardware will be required. This product should be installed by professionals or professionally installed. \*Video Mount Products will not be held liable for the improper use or installation of their products.\***





## **Section 5 - Installing your Equipment**

**NOTE: The enclosure must be mounted and stabilized prior to installing your equipment.** If you are using sliding equipment rails, be careful when extending the rails. Do not extend more than one set of sliding equipment rails at one time. Avoid extending sliding equipment rails near the top of the enclosure.

Each rack unit is marked on the rail for your convenience. To install your equipment, lower it into the enclosure and set it on the mounting rails. Line up the mounting holes on the equipment with the mounting holes on the mounting rails making sure to stay aligned in the rail markings. Using the included hardware or the compatible hardware included with your component, secure your equipment to the rack rails.

## **Section 6 - Patch Panel Installation (Optional)**

Your enclosure also comes with an integrated, slide-out patch panel mounting bracket. These brackets are located at the top of the enclosure, above the vertical mounting rails and allows for the convenient installation of a patch panel to the enclosure. For added accessibility, the brackets partially slide out to provide easier cable access.

To install a patch panel on the patch panel mounting bracket, use the included mounting screws or compatible hardware provided with your equipment, to secure your equipment to the rack rail.

***Please verify that your mounting surface will safely support the combined weight of the enclosure, mounting hardware and equipment installed in the cabinet. Confirm that the mounting surface is safe to drill through. Please note that only mounting hardware for mounting to wooden studs is provided with the unit. If mounting to a surface other than wooden studs, then other hardware will be required. This product should be installed by professionals or professionally installed.***

***\*Video Mount Products will not be held liable for the improper use or installation of their products.\****

# **Enjoy Your Cabinet!**