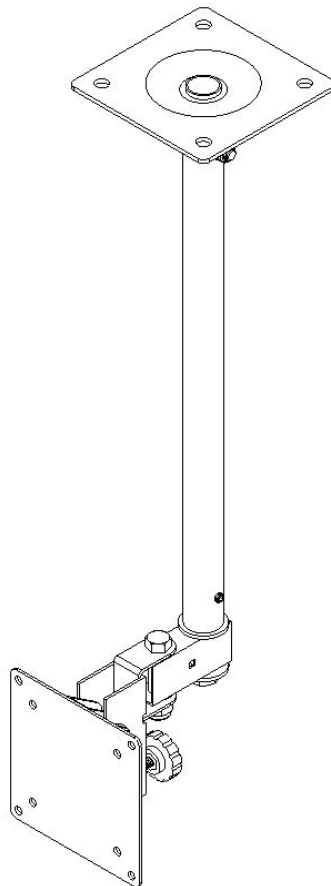




Instruction Sheet For:

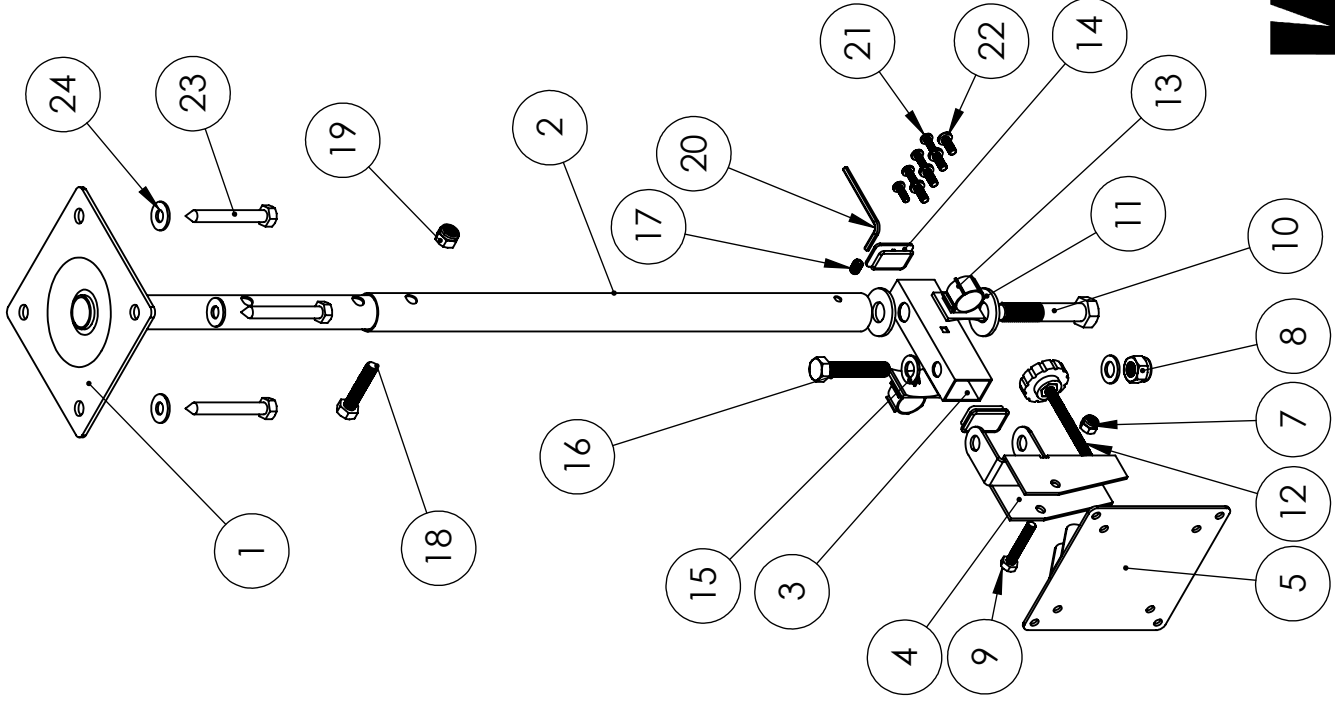
LCD-1C, LCD-1CB & LCD-1 CW

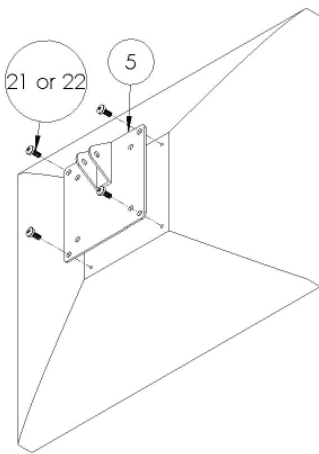


For more information, please contact us at:
345 Log Canoe Circle, Stevensville, Maryland 21666
Toll Free: 877.281.2169 Phone: 410.643.6390 Fax: 410.643.6615
www.videomount.com

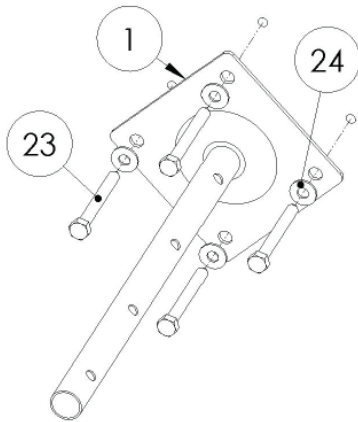
LCD-1C

ITEM NO.	DESCRIPTION	QTY.
1	Ceiling Plate	1
2	Extension Tube	1
3	Support Tube	1
4	Swivel Bracket	1
5	Mounting Plate	1
7	Nylon Nut M6*P1.0	1
8	Nylon Nut 3/8"-16UNC	1
9	Screw M6*P1.0*L35	1
10	Screw M12*P1.75*L65	1
11	Washer ϕ 1/2"* ϕ 32mm	2
12	Adjusting Screw 1/4"-20UNC*50mm	1
13	Cable Clips	2
14	End Plug	2
15	Washer ϕ 3/8"* ϕ 19*T1.6	2
16	Screw 3/8"-16UNC*L2"	1
17	Brake Screw 1/4"-20UNC*L3/8"	1
18	Screw 5/16"-18UNC*L1-1/2"	1
19	Nylon Nut 5/16"-18UNC	1
20	M3 Allen Key	1
21	Screw M4*P0.7*L12	4
22	Screw M5*P0.8*L12	4
23	Lag Screw 5/16"*L2.5"	4
24	Washer ϕ 8.3"* ϕ 19*T1.6	4

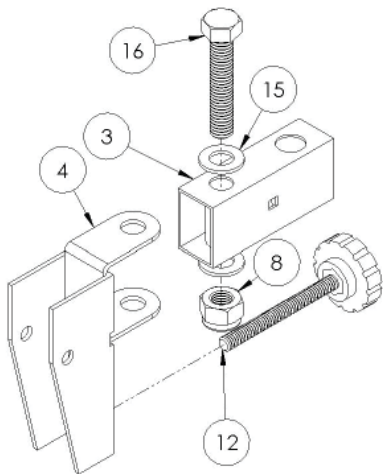




Step 2: Attaching the mounting plate to the LCD



Step 3: Attaching the ceiling plate to the ceiling



Step 4: Attaching the swivel bracket to the support tube

Step 1

Before starting, lay out all parts to your mount and match them to the parts list provided. Verify that you have all your parts before attempting to assemble the mount.

Step 2

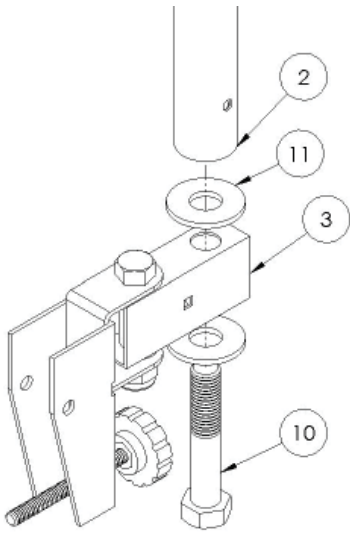
Attach the mounting plate (5) to the LCD using the M4 (22) or M5 (21) screws.

Step 3

Mark the ceiling or desired mounting surface in preparation of installation of ceiling plate (1). If mounting to wooden ceiling joists, pre drill pilot holes using a 7/32" drill bit. Attach the ceiling plate (1) to the wooden ceiling joist using the 5/16" by 2.5" long lag screw (23) and washer (24). **WARNING: Please verify that your mounting surface will support the combined weight of your mount, mounting hardware, and flat panel. Also verify that the mounting surface is safe to drill through. Please note only mounting hardware for mounting to wooden ceiling joists will be provided with the unit. If mounting to a surface other than wooden ceiling joists then other hardware will be required. If in doubt or uncertain about any of the above, please contact a professional installer.**

Step 4

Attach the swivel bracket assembly from step 2 to the support tube (3) using the 3/8" screw (16), washers (15) and nylon nut (8). Insert adjustable screw (12) into the back of the swivel bracket (4) for use when tilting the monitor.



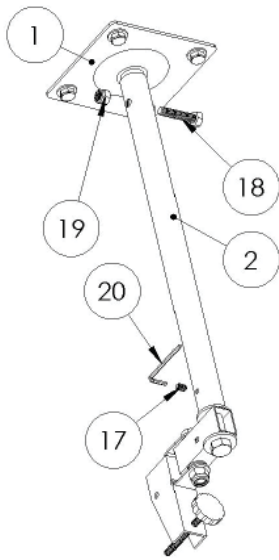
Step 5: Attaching the support tube to the extension tube

Step 5

Attach the support tube (3) to the extension tube (2) using the M12 screw (10) and washers (11).

Step 6

Attach the extension tube (2) to the ceiling plate (1) using the 5/16" screw (18) and nylon nut (19). Secure the M12 screw (10) from slipping in the extension tube (2) by tightening the 1/4" brake screw (17) into the threaded hole in the side of the extension tube (2) using the Allen key (20).



Step 6: Attaching the extension tube to the ceiling plate

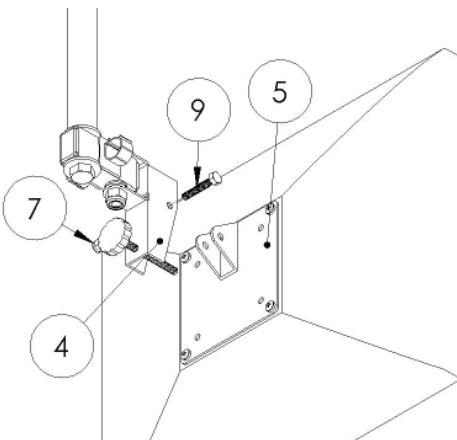
Step 7

Attach the mounting plate (5) to the swivel bracket (4) using the M6 screw (9) and nylon nut (7).

Step 8

Insert end plugs (14) into the support tube (3). For cable management, insert the cable clips (13) by pushing the arrow ends into the square holes in the support tube (3).

Please verify that all nuts and screws are securely tightened.



Step 7: Attaching the mounting plate to the swivel bracket



Enjoy Your Mount!

WARNING: The installer of these products must verify that the mounting surface, ceiling or wall, will safely support the combined weight of all attached equipment and hardware. Video Mount Products will not be held liable for the improper use or installation of its products.