

ER-LCD1017

LCD Monitor Rack Mount

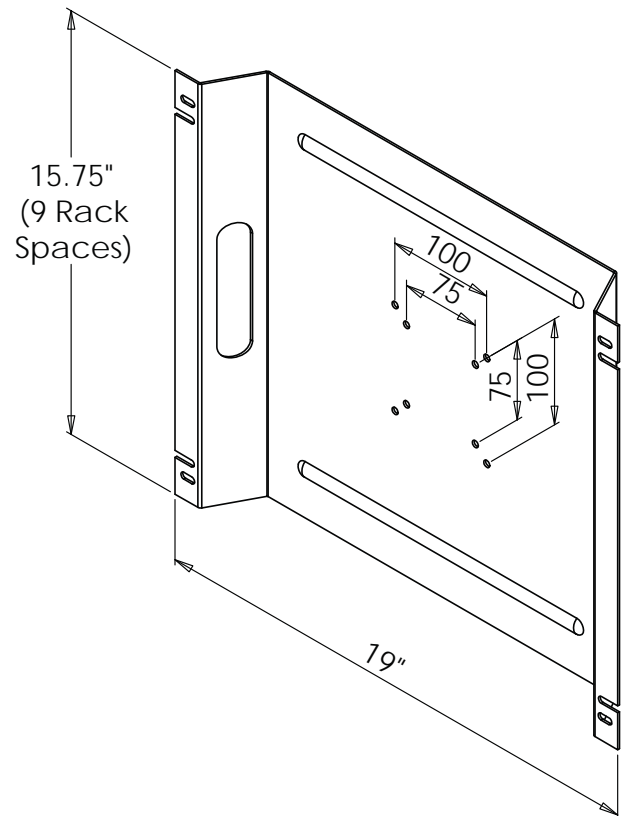
Product Features:

- Holds most 10" to 17" monitors
- Inverts to hold up to 23" monitors
- 9 space racking height
- Recesses monitor into rack
- Accommodates monitors with 75 & 100 mm VESA hole patterns
- Load capacity - 50 lbs
- Black static resistant powder coat finish

Product Specifications:

(for Architects & Engineers)

The equipment rack mount for the LCD shall be the Video Mount Products (VMP) model ER-LCD1017. The mount shall be compatible with standard 19" equipment racks without modification. The mount shall be a universal style capable of mounting to most 10" to 17" LCD monitors that incorporate 75mm and 100mm standard mounting hole patterns and not necessarily be model specific. The load capacity shall be 50 lbs. The mount shall be painted with a durable static resistant black powder coat finish.



Video Mount Products

345 Log Canoe Circle
Stevensville, MD 21666
Toll Free: 877.281.2169
Telephone: 410.643.6390
Facsimile: 410.643.6615
www.videomount.com

