

PM-3

Yokeless Projector Mount

Product Features:

Fits most projectors with mounting holes inside 14.5" dia

Adjustable tilt - $\pm 20^\circ$ / Adjustable pitch - $\pm 15^\circ$

Adjustable yaw (rotation) - $\pm 180^\circ$ (360°)

Mast telescopes 18" - 30"

Flush mount plate and mounting screws included

Load capacity - 75 lbs

Silver powder coat finish

Also available in black finish (PM-3B)

Product Specifications:

(for Architects & Engineers)

The universal yokeless ceiling mount for LCD projectors shall be a Video Mount Products (VMP) model PM-3. The mount shall be constructed primarily of formed steel and shall incorporate arc welds. The mount shall have adjustable tilt up to a maximum of 20° , adjustable pitch up to a maximum of 15° , and adjustable yaw (rotation) of $\pm 180^\circ$.

The mount shall be able to fit most projects with hole patterns inside a 14.5" diameter. The mount shall include a telescoping ceiling mast adjustable from 18" to 30". The projector mount shall also have the ability to be flush mounted to the ceiling on 16" centers. The load capacity shall be 75 lbs.

Video Mount Products

345 Log Canoe Circle

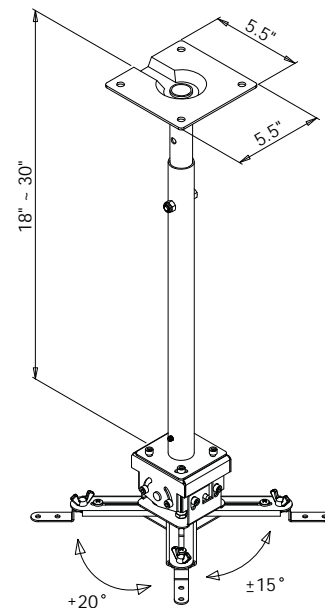
Stevensville, MD 21666

Toll Free: 877.281.2169

Telephone: 410.643.6390

Facsimile: 410.643.6615

www.videomount.com



VMP
VIDEO MOUNT PRODUCTS