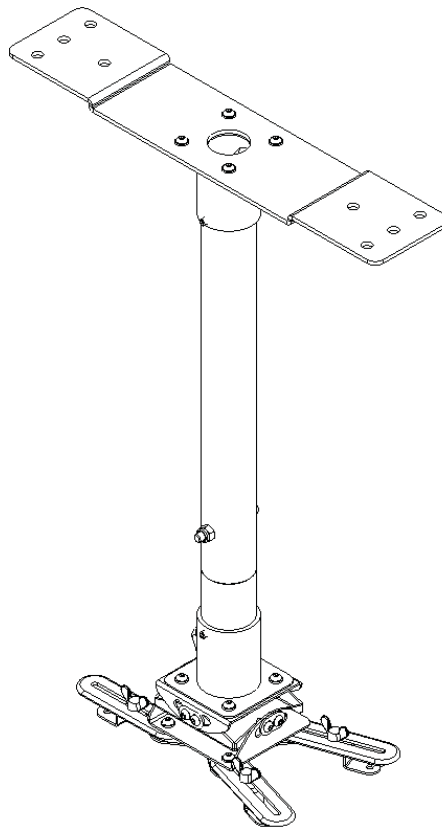


WMP

VIDEO MOUNT PRODUCTS

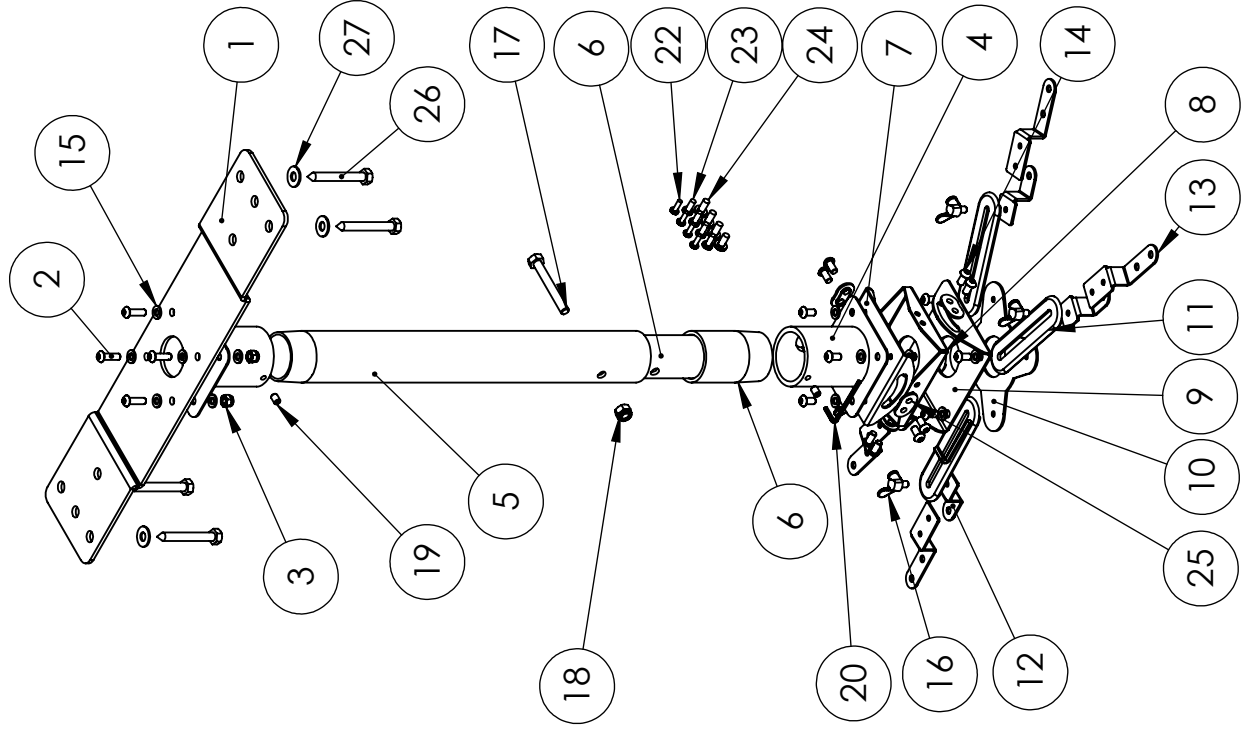
Instruction Sheet For:

PM-LP & PM-LPB

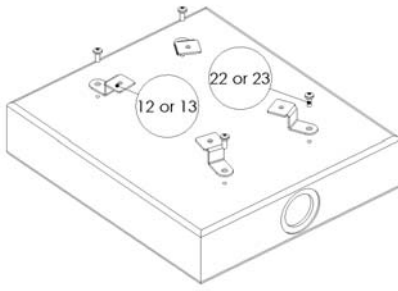


For more information, please contact us at:
345 Log Canoe Circle, Stevensville, Maryland 21666
Toll Free: 877.281.2169 Phone: 410.643.6390 Fax: 410.643.6615
www.videomount.com

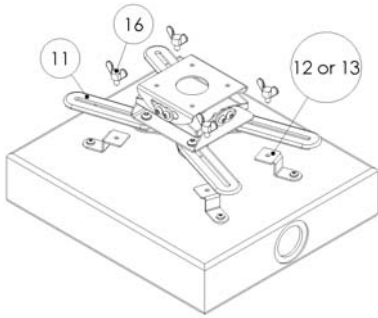
PM-LP



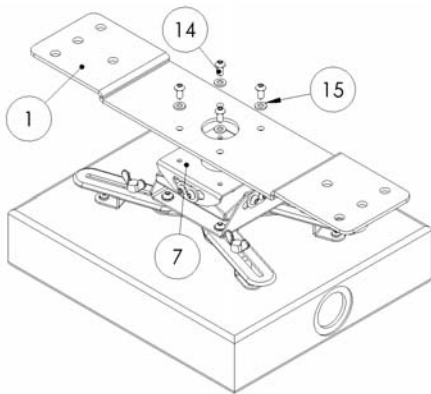
ITEM NO.	DESCRIPTION	QTY
1	Ceiling Plate	1
2	Socket Screw M6*P1.0*L20	4
3	Nylon Nut M6*P1.0	4
4	Feed Through Coupler	2
5	Outer Mast	1
6	Inner Mast	1
7	Upper Plate	1
8	Mid Plate	1
9	Lower Plate	1
10	Bottom Plate	1
11	Leg	4
12	Foot	4
13	Longer Foot	4
14	Socket Screw M6*P1.0*L12	16
15	Washer ϕ 6.4* ϕ 12*T1.6	16
16	Wing Screw M6*P1.0*L10	4
17	Hex Head Screw 5/16" - 18UNC*L2 1/2"	1
18	Nylon Nut 5/16" - 18UNC	1
19	Brake Screw 1/4" - 20UNC*L3/8"	2
20	M3 Allen Key	1
21	M4 Allen Key	1
22	Cross Screw M4*P0.7*L12	4
23	Cross Screw M5*P0.8*L12	4
24	Cross Screw M6*P1.0*L12	4
25	Plastic Bushings	4
26	Lag Screw 5/16"*L2.5"	4
27	Washer ϕ 8.3* ϕ 19*T1.6	4



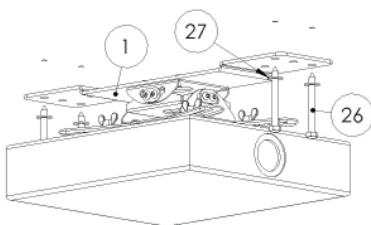
Step 2: Attaching the feet to the projector



Step 3: Attaching the feet to the mount



Step 4: Attaching the mount to the ceiling plate



Step 5: Attaching the ceiling plate to the ceiling

Step 1

Before starting, lay out all parts to your mount and match them to the parts list provided. Verify that you have all your parts before attempting to assemble the mount.

Step 2

Attach the feet (12) or (13) to the projector using the appropriate screws (22) or (23).

Step 3

Attach the feet (12) or (13) to the legs (11) using the wing screws (16). **Note: If you plan to feed the cables through the holes in the center of the mount itself take the time to do so now before proceeding further.** **Note: If using the longer feet (13) use the M6 screws (24) in the rear holes of the feet in addition to the wing screws (16) to better secure the longer foot.**

If you are using the flush mount plate:

Step 4

Attach the ceiling plate (1) to the top of the upper plate (7) using the short socket head screws (14) and washers (15).

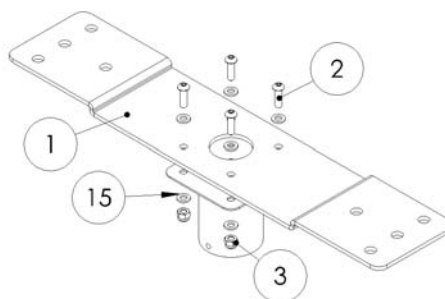
Step 5

Mark the ceiling or desired mounting surface in preparation of installation of ceiling plate (1). If mounting to wooden ceiling joists, pre drill pilot holes using a 7/32" drill bit. Attach the ceiling plate (1) to the wooden ceiling joist using the 5/16" by 2.5" long lag screw (26) and washer (27). Proceed to step 10. **WARNING: Please verify that your mounting surface will support the combined weight of your mount, mounting hardware, and flat panel.** Also verify that the mounting surface is safe to drill through. Please note only mounting hardware for mounting to wooden ceiling joists will be provided with the unit. If mounting to a surface other than wooden ceiling joists then other hardware will be required. If in doubt or uncertain about any of the above, please contact a professional installer.

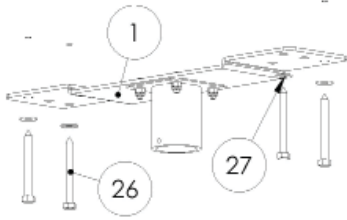
If you are using the ceiling plate:

Step 6

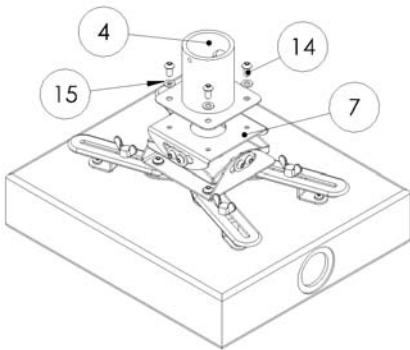
Attach the feed through coupler (4) to the ceiling plate (1) using the longer socket screws (2), washers (15) and nylon nuts (3).



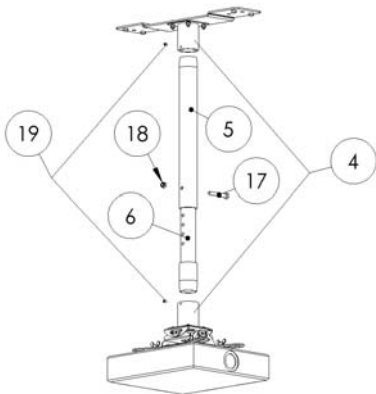
Step 6: Attaching the feed through couple to the ceiling plate



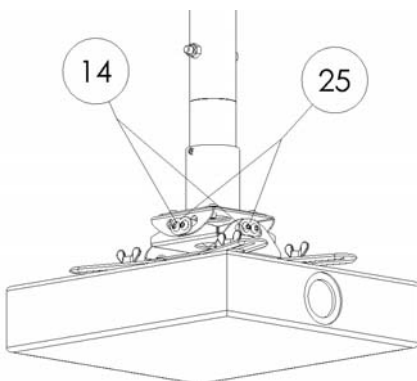
Step 7: Attaching the ceiling plate to the ceiling



Step 8: Attaching the feed through coupler to the mount



Step 9: Connecting the mount to the ceiling plate



Step 10: Post installation adjustment

Step 7

Mark the ceiling or desired mounting surface in preparation of installation of ceiling plate (1). If mounting to wooden ceiling joists, pre drill pilot holes using a 7/32" drill bit. Attach the ceiling plate (1) to the wooden ceiling joist using the 5/16" by 2.5" long lag screw (26) and washer (27). **WARNING: Please verify that your mounting surface will support the combined weight of your mount, mounting hardware, and flat panel. Also verify that the mounting surface is safe to drill through. Please note only mounting hardware for mounting to wooden ceiling joists will be provided with the unit. If mounting to a surface other than wooden ceiling joists then other hardware will be required. If in doubt or uncertain about any of the above, please contact a professional installer.**

Step 8

Attach the other feed through coupler (4) to the top of the upper plate (7) using the shorter socket screws (14) and washers (15).

Step 9

Screw the extension outer tube (5) into the feed through couple (4) on the ceiling plate (1). Screw the extension inner tube (6) into the feed through couple on the upper plate (7). Tighten brake screws (19) into the threaded holes in the feed through couplers (4) to secure the extension tubes in place. To adjust the drop length of the mast, remove the 5/16" screw (17) and slide the inner tube so one of the other holes in the inner tube line up with the holes in the outer tube. Then reinsert the 5/16" screw (17) and retighten the nylon nut (18).

Step 10

To adjust the tilt or pan of the projector, simply drag the projector to the desired position. If you have difficulty doing so, *slightly* loosen the short socket screws (14) that are in the plastic bushing (25) until desired tension is achieved to make tilting or panning easier. Cables may be ran through the center of the mount and the ceiling mast either by using the holes in the feed though couplers or the holes in the center of the mount and ceiling plate. **Please verify that all nuts and screws are securely tightened.**



Enjoy Your Mount!

WARNING: The installer of these products must verify that the mounting surface, ceiling or wall, will safely support the combined weight of all attached equipment and hardware. Video Mount Products will not be held liable for the improper use or installation of its products.