

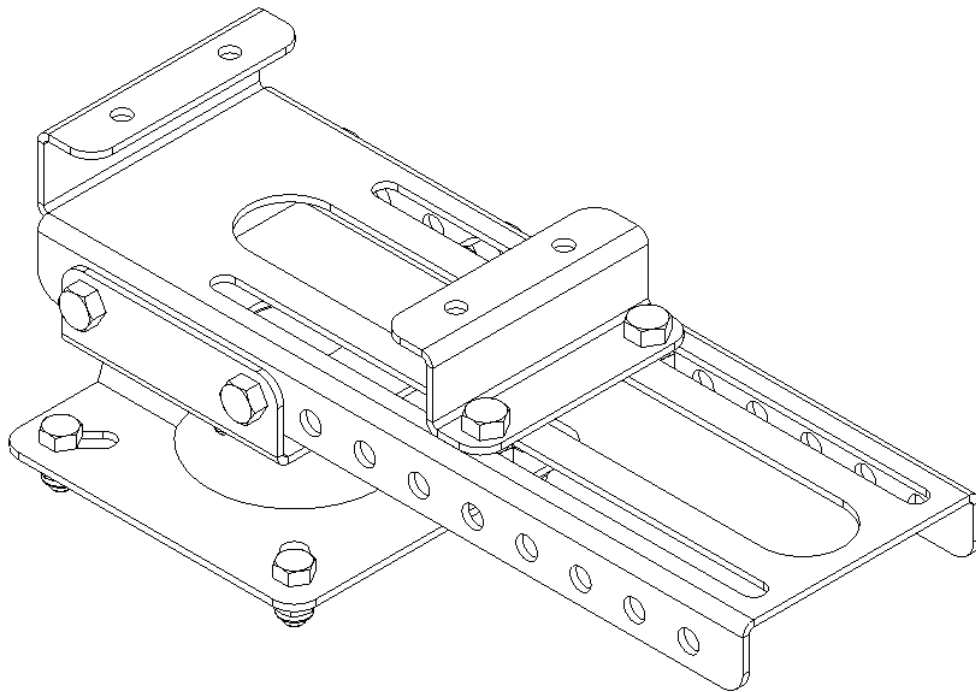
# **WMP**

**VIDEO MOUNT PRODUCTS**

*Instruction Sheet For:*

## **IBA-1**

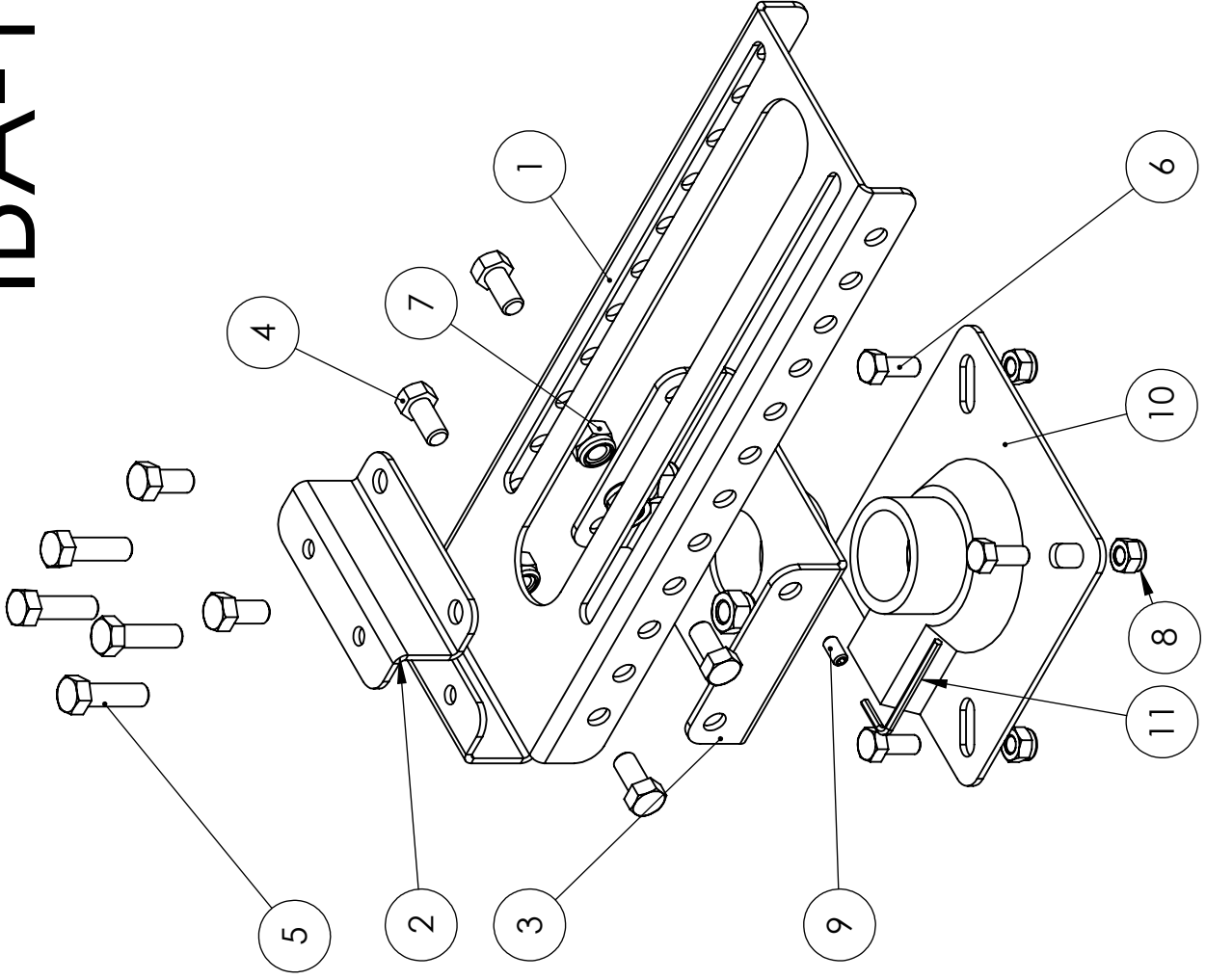
---



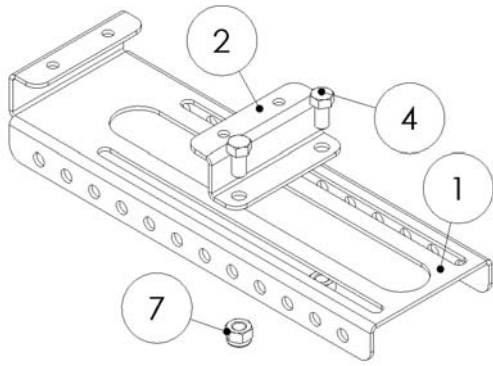
---

*For more information, please contact us at:*  
345 Log Canoe Circle, Stevensville, Maryland 21666  
Toll Free: 877.281.2169 Phone: 410.643.6390 Fax: 410.643.6615  
[www.videomount.com](http://www.videomount.com)

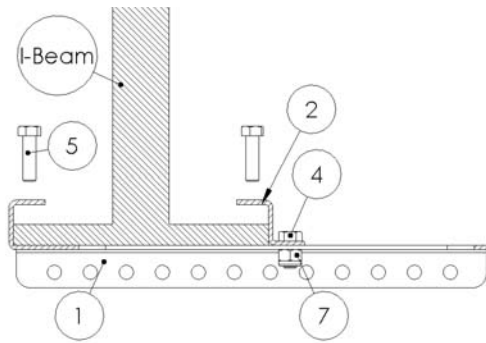
# IBA-1



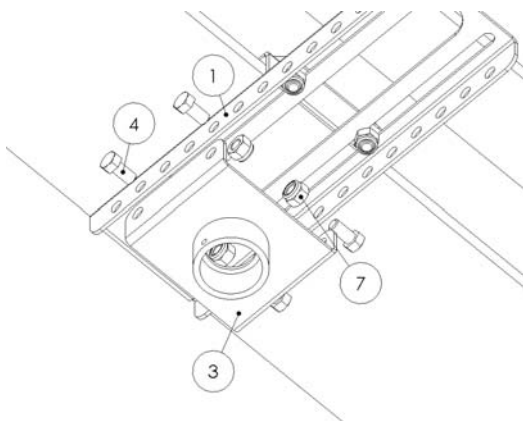
ITEM NO.	DESCRIPTION	QTY.
1	Main Plate	1
2	Slider Plate	1
3	Pipe Couple	1
4	Hex Head Screw 3/8" - 16UNC*L3/4"	6
5	Hex Head Screw 3/8" - 16UNC*L1.25"	4
6	Hex Head Screw 5/16" - 18UNC*L3/4"	4
7	Nylon Nut 3/8"-16UNC	6
8	Nylon Nut 5/16" - 18UNC	4
9	Brake Screw 1/4" - 20UNC*L1/2"	1
10	Adaptor Plate	1
11	M3 Allen Key	1



Step 2: Attaching the slider plate



Step 3: Attaching the main plate to the I-Beam



Step 4: Attach the pipe couple

### Step 1

Before starting, lay out all parts to your mount and match them to the parts list provided. Verify that you have all your parts before attempting to assemble the mount.

### Step 2

Loosely attach the slider plate (2) to the main plate (1) using the 3/8" hex screws (4) and nylon nuts (7).

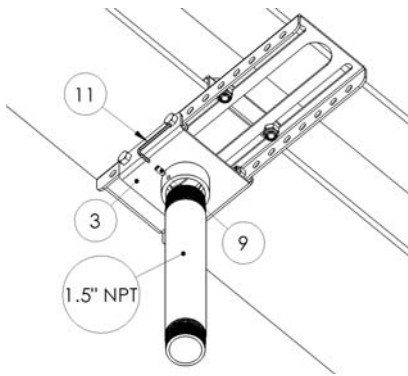
### Step 3

Place the underside upper lip of the main plate (1) tight against one of the I-Beam flanges and slide the slider plate (2) tight against the other side of the I-Beam flange. Tighten the 3/8" screws (4) and nylon nuts (7) on the slider plate to prevent further movement. Use the longer 3/8" screw (5) to secure the I-Beam flange against the main plate by tightening them down through the threaded holes in the upper lip of the main plate (1) and the slider plate (2). **Please verify all screws and nuts are completely and securely fastened at this point.**

### Step 4

Attach the pipe couple (3) to the main plate (1) using the 3/8" screws (4) and nylon nuts (7).

*If you are using 1.5" NPT pipe:*



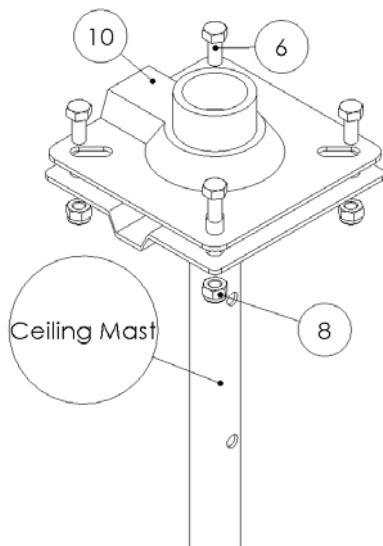
*Step 5: Attaching 1.5" NPT pipe*

#### **Step 5**

Screw the pipe into the bottom of the pipe couple (3). Secure the pipe from turning by screwing in the brake screw (9) with the allen key (11) as tight as possible.

**WARNING:** To prevent possible injury that could occur if the 1.5" NPT pipe turns out of the Pipe Couple, please verify that you have tightened the brake screw as far as possible.

*If you are using a VMP ceiling mast:*



*Step 6: Attaching the ceiling mast to the adaptor plate*

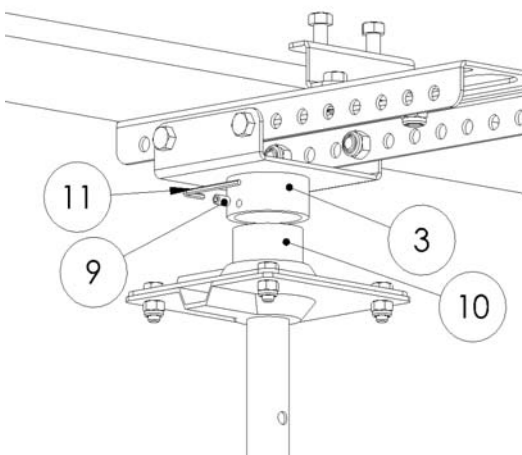
#### **Step 6**

Attach the VMP ceiling mast to the adaptor plate (10) using the 5/16" screws (6) and nylon nuts (8).

#### **Step 7**

Thread the adaptor plate (10) into the pipe couple (3) as tight as possible. Secure the adaptor plate (10) from turning by threading in the brake screw (9) with the allen key (11) as tight as possible.

**WARNING:** To prevent possible injury that could occur if the adaptor plate of the pipe couple, please verify that you have tightened the brake screw as far as possible.



*Step 7: Attaching the adaptor plate to the pipe couple*



## *Enjoy Your Mount!*

**WARNING:** The installer of these products must verify that the mounting surface, ceiling or wall, will safely support the combined weight of all attached equipment and hardware. Video Mount Products will not be held liable for the improper use or installation of its products.